



2W025-06

2W025-08

Solenoid valve 2W series

Symbol:



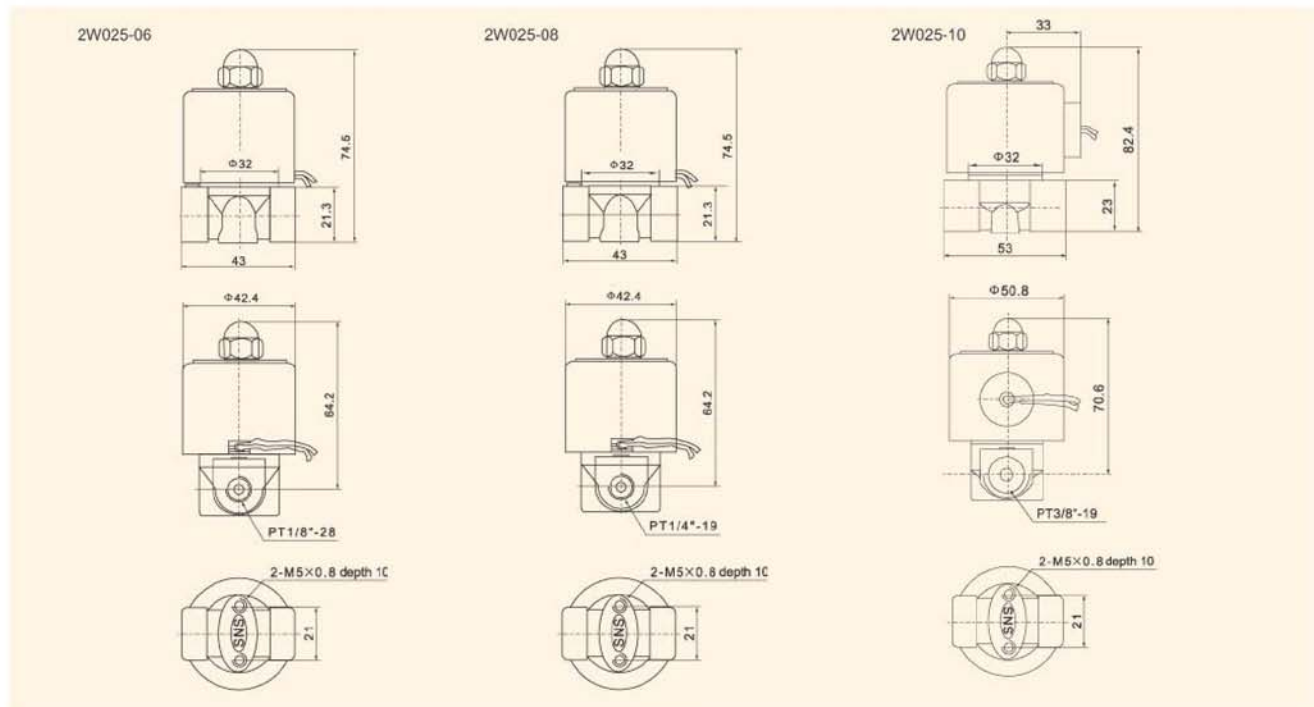
How to order

| 2W | 025 | - 06 | AC110V |
|------------------------|--|---|--|
| 2/2 way solenoid valve | Orifice size 025: 2.5mm 040: 4.0mm | Port size 06: 1/8" 08: 1/4" 10: 3/8" | Voltage DC12V DC24V AC24V 50/60Hz AC110V 50/60Hz AC220V 50/60Hz AC380V 50/60Hz |

Specification

| Model | 2W025-06 | 2W025-08 | 2W040-10 |
|-----------------------------------|--|----------|----------|
| Fluid | Air, Water, Gas, Oil (filtered through 40μ filter element) | | |
| Action | Direct acting type | | |
| Type | Normally closed type | | |
| Effective area (mm ²) | 2.5 | 2.5 | 4.0 |
| CV Value | 0.23 | 0.23 | 0.60 |
| Port size | 1/8" | 1/4" | 3/8" |
| Viscosity limit | Under 20CST | | |
| Operating pressure | 0-7.0kgf/cm ² | | |
| Proof pressure | 10kgf/cm ² | | |
| Ambient & fluid temperature | -5-85°C | | |
| Voltage range | ± 10% | | |
| Weight (kg) | | | |
| Main parts material | Body | Brass | |
| | Seal | NBR | |

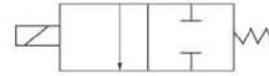
Dimension



Solenoid valve 2W series



Symbol:



How to order

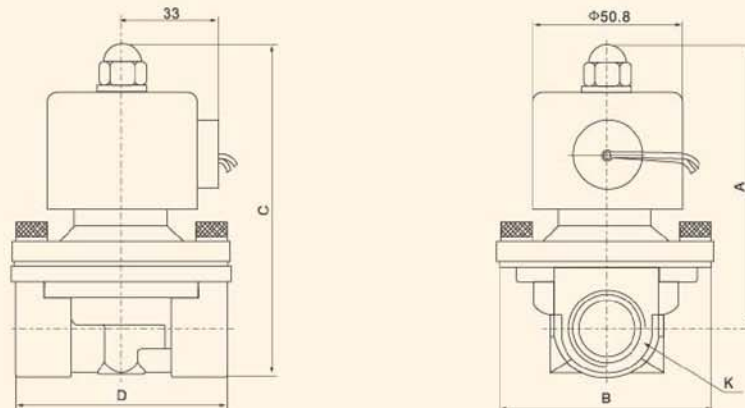
| 2W | 160 | - | 10 | AC110V |
|------------------------|--|---|---|--|
| 2/2 way solenoid valve | Orifice size 160: 16mm 200: 20mm 250: 25mm 350: 35mm 400: 40mm 500: 50mm | | Port size 10: 3/8" 15: 1/2" 20: 3/4" 25: 1" 35: 1 1/4" 40: 1 1/2" 50: 2" | Voltage DC12V DC24V AC24V 50/60Hz AC110V 50/60Hz AC220V 50/60Hz AC380V 50/60Hz |

2
Control equipment

Specification

| Model | 2W160-10 | 2W160-15 | 2W200-20 | 2W250-25 | 2W350-35 | 2W400-40 | 2W500-50 |
|-----------------------------------|---|----------|----------|----------|----------|----------|----------|
| Fluid | Air, Water, Gas, Oil (filtered through 40 μ filter element) | | | | | | |
| Action | Internally piloted type | | | | | | |
| Type | Normally closed type | | | | | | |
| Effective area (mm ²) | 16 | 16 | 20 | 25 | 35 | 40 | 50 |
| CV Value | 4.8 | 4.8 | 7.6 | 12 | 24 | 29 | 48 |
| Port size | 3/8" | 1/2" | 3/4" | 1" | 1 1/4" | 1 1/2" | 2" |
| Viscosity limit | Under 20CS | | | | | | |
| Operating pressure | Water and oil: 0-5.0kgf/cm ² Air: 0-7.0kgf/cm ² | | | | | | |
| Proof pressure | 10kgf/cm ² | | | | | | |
| Ambient & fluid temperature | -5~85 °C | | | | | | |
| Voltage range | ± 10% | | | | | | |
| Weight (kg) | | | | | | | |
| Main parts material | Body | Brass | | | | | |
| | Seal | NBR | | | | | |

Dimension



| Model | A | B | C | D | K |
|----------|-----|------|-------|-----|----------|
| 2W160-10 | 93 | 57 | 106.5 | 69 | PT1/2" |
| 2W160-15 | 93 | 57 | 106.5 | 69 | PT1/2" |
| 2W200-20 | 100 | 57 | 116.4 | 73 | PT3/4" |
| 2W250-25 | 105 | 73.4 | 126 | 99 | PT1" |
| 2W350-35 | 142 | 95 | 172 | 123 | PT1 1/4" |
| 2W400-40 | 142 | 95 | 172 | 123 | PT1 1/2" |
| 2W500-50 | 172 | 123 | 209 | 168 | PT2" |