



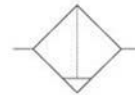
AF2000



BF2000

Filter A/B series

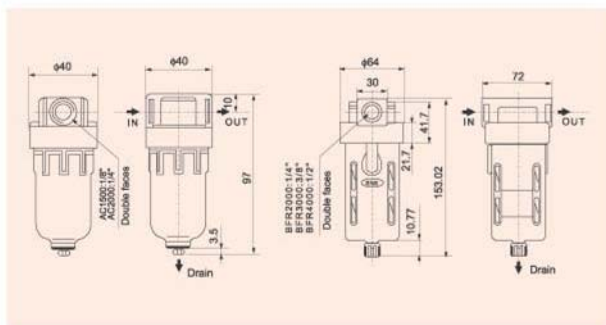
Symbol:



How to order

AF	2000	D
Filter	Port size	Drain type
AF: A series	1500: 1/8"	Blank: semi-automatic drain
BF: B series	2000: 1/4"	M: manual drain
	3000: 3/8"	A: auto drain
	4000: 1/2"	

Dimension



Specification

Model	AF1500 AF1500A AF1500M	AF2000 AF2000A AF2000M	BF2000 BF2000A BF2000M	BF3000 BF3000A BF3000M	BF4000 BF4000A BF4000M
Port size RC(PT)	1/8"	1/4"	1/4"	3/8"	1/2"
Fluid	Air				
Proof pressure	15.0kgf/cm ²				
Ambient & fluid temperature	5-60 °C				
Nominal filtration rate	40µM				
Drain bowl capacity	15CC		60CC		
Weight (kg)	0.14		0.33		
Main parts material	Aluminum alloy				
	PC				
Bowl guard	AF1500~AF2000: without		BF2000~BF4000: with (Plastic)		