

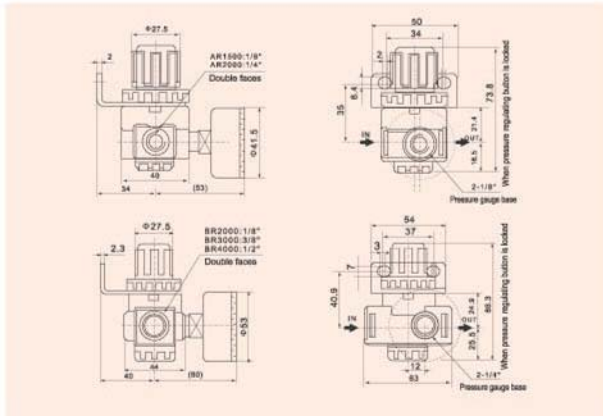


AR2000



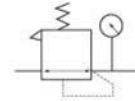
BR4000

Dimension



Regulator A/B series

Symbol:



How to order

AR	2000
Regulator	Port size
AR: A series	1500: 1/8"
BR: B series	2000: 1/4"
	3000: 3/8"
	4000: 1/2"

Specification

Model	AR1500	AR2000	BR2000	BR3000	BR4000
Port size RC(PT)	1/8"	1/4"	1/4"	3/8"	1/2"
Fluid	Air				
Adjustable pressure range	0.5~8kgf/cm ²				
Max. adjustable pressure	9.5kgf/cm ²				
Proof pressure	15.0kgf/cm ²				
Ambient & fluid temperature	5-60 °C				
Weight (kg)					
Body material	Aluminum alloy				