

Mist separator regulator(AWM)



◆ SAWM2000M~6000M Series

- SAWM series are compact type assemblies of a mist separator and a regulator.

● How to order

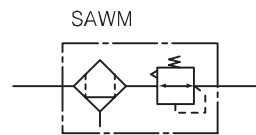
SAWM 30 00M- 03 BDG - Me

- 1 Mist separator regulator
- 2 Body Size
 - 20 - 1/4
 - 30 - 3/8
 - 40 - 1/2
 - 60 - 1
- 3 Port Size
 - 02 - Rc(PT) 1/4 "
 - 03 - Rc(PT) 3/8 "
 - 04 - Rc(PT) 1/2 "
 - 06 - Rc(PT) 3/4 "
 - 10 - Rc(PT) 1 "
- 4 Accessory(Optional)
 - Nil - Manual Drain
 - B - Bracket
 - D - Auto Drain
 - G - Gauge
- 5 Option
 - Nil - PC Bowl
 - Me - Metal Bowl



SAWM6000M SAWM3000M

● Symbol



● Specification

Max. supply pressure	1.5MPa [15.3 kgf/cm ²]
Max. operating pressure	0.97MPa [9.9 kgf/cm ²]
Regulating range	50~850kPa [0.5~8.7 kgf/cm ²]
Ambient and media temperature	5 ~ 60℃
Filtration	0.3μm
Bowl material	Poly-carbonate · Metal
Construction	Relief type

● Precautions

- ① Poly-carbonate bowls may be damaged and highly possible to fail if exposed to synthetic oils, thinner solvents, trichloroethylene, kerosene, chloroform, cyclohexane or other aromatic hydrocarbons and such environment exposed chemicals such as above.
- ② When auto drain is used :
Drain piping should be both 4mm or greater in diameter and less than 1m in length.
Also should avoid setting drain piping upwards.
- ③ When auto drain is out of order, it is possible to drain manually by operating one-touch-fitting vertically.
- ④ With a drain cock attached, drain can be done when the head of liquid is shown at the glass indication tube.

Mist separator regulator(AWM)



◆ SAWM2000M~6000M Series

- SAWM series are compact type assemblies of a mist separator and a regulator.

● How to order

SAWM 30 00M- 03 BDG - Me

1 Mist separator regulator

2 Body Size
20 - 1/4
30 - 3/8
40 - 1/2
60 - 1

3 Port Size
02 - Rc(PT) 1/4 ~
03 - Rc(PT) 3/8 ~
04 - Rc(PT) 1/2 ~
06 - Rc(PT) 3/4 ~
10 - Rc(PT) 1 ~

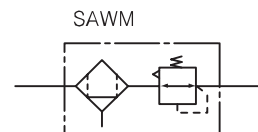
4 Accessory(Optional)
Nil - Manual Drain
B - Bracket
D - Auto Drain
G - Gauge

5 Option
Nil - PC Bowl
Me - Metal Bowl



SAWM6000M SAWM3000M

● Symbol



● Specification

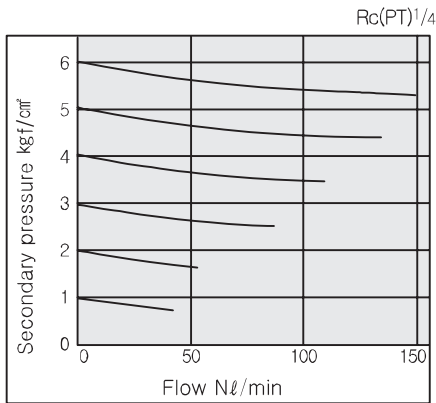
Max. supply pressure	1.5MPa [15.3 kgf/cm ²]
Max. operating pressure	0.97MPa [9.9 kgf/cm ²]
Regulating range	50~850kPa [0.5~8.7 kgf/cm ²]
Ambient and media temperature	5 ~ 60℃
Filtration	0.3μm
Bowl material	Poly-carbonate · Metal
Construction	Relief type

● Precautions

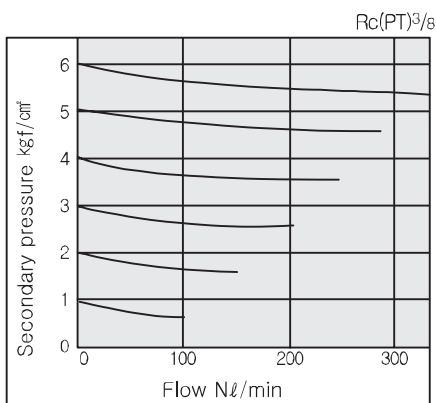
- ① Poly-carbonate bowls may be damaged and highly possible to fail if exposed to synthetic oils, thinner solvents, trichloroethylene, kerosene, chloroform, cyclohexane or other aromatic hydrocarbons and such environment exposed chemicals such as above.
- ② When auto drain is used :
Drain piping should be both 4mm or greater in diameter and less than 1m in length.
Also should avoid setting drain piping upwards.
- ③ When auto drain is out of order, it is possible to drain manually by operating one-touch-fitting vertically.
- ④ With a drain cock attached, drain can be done when the head of liquid is shown at the glass indication tube.

● FLOW CHARACTERISTICS

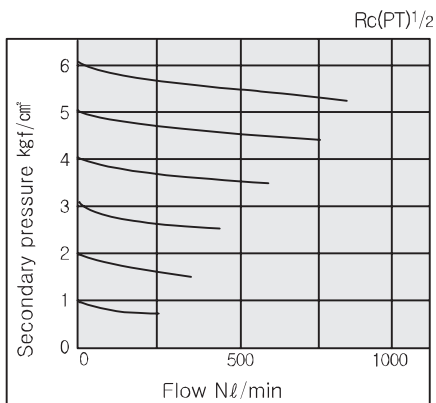
SAWM 2000M



SAWM 3000M

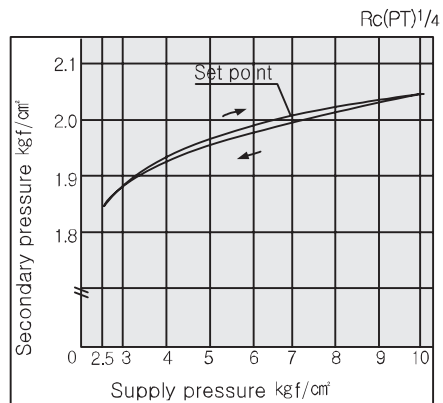


SAWM 4000M

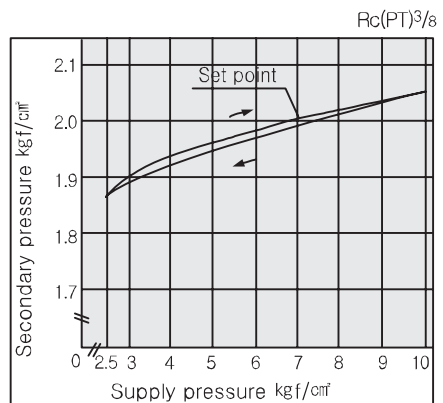


● PRESSURE CHARACTERISTICS

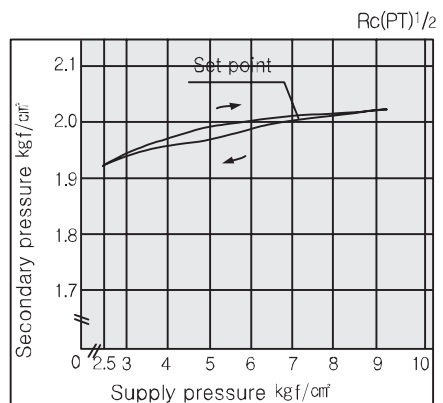
SAWM 2000M



SAWM 3000M

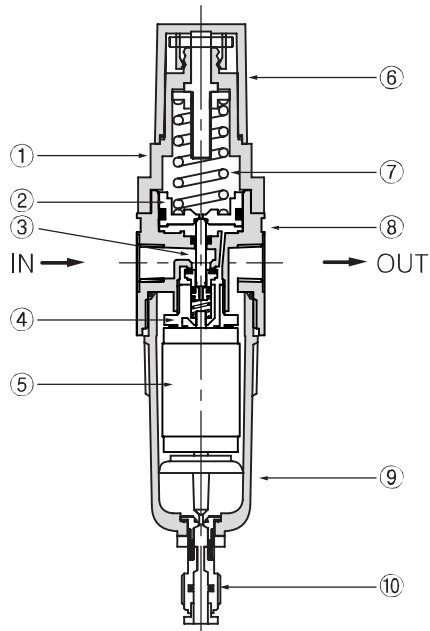


SAWM 4000M



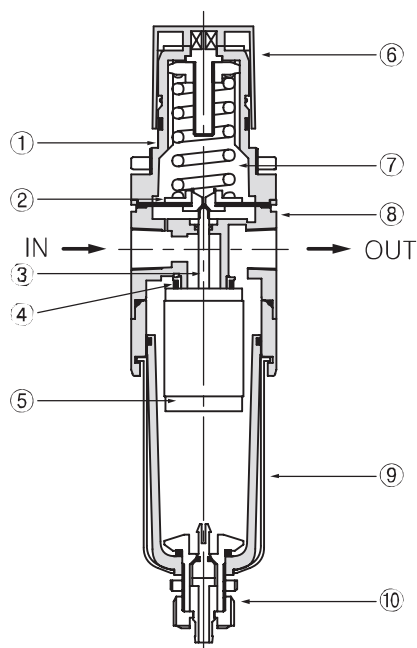
● STRUCTURE / PARTS

SAWM 2000M



No.	PARTS	MATERIAL
1	Cover	N66G
2	Diaphragm	NBR
3	Check valve	NBR
4	Packing	NBR
5	Element	Glass fiber
6	Handle	N66G
7	Spring	SWP
8	Body	ZnDC
9	Bowl	PC
10	Drain part	

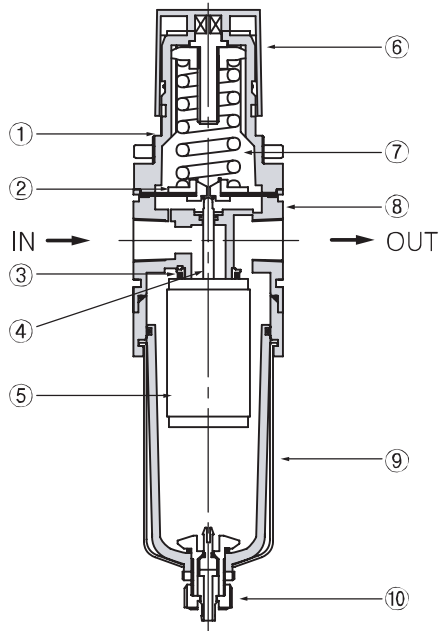
SAWM 3000M



No.	PARTS	MATERIAL
1	Cover	N66G
2	Diaphragm	NBR
3	Check valve	NBR
4	Packing	NBR
5	Element	Glass fiber
6	Handle	N66G
7	Spring	SWP
8	Body	ALDC
9	Bowl	PC
10	Drain part	

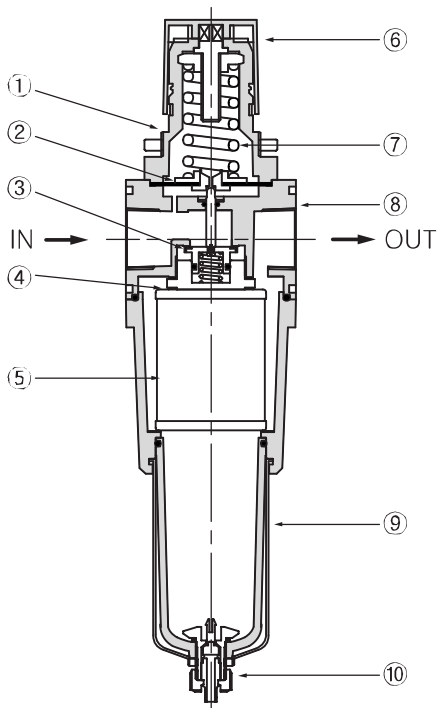
● STRUCTURE / PARTS

SAWM 4000M



No.	PARTS	MATERIAL
1	Cover	ALDC
2	Diaphragm	NBR
3	Check valve	NBR
4	Packing	NBR
5	Element	Glass fiber
6	Handle	N66G
7	Spring	SWP
8	Body	ALDC
9	Bowl	PC
10	Drain part	

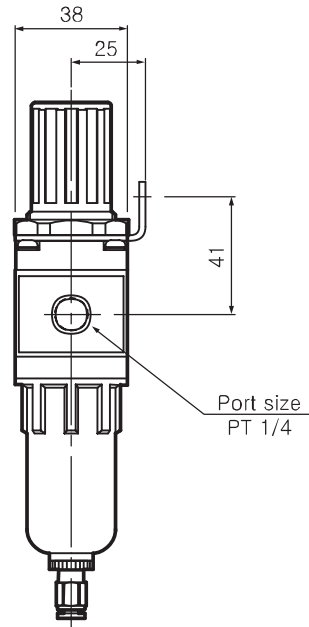
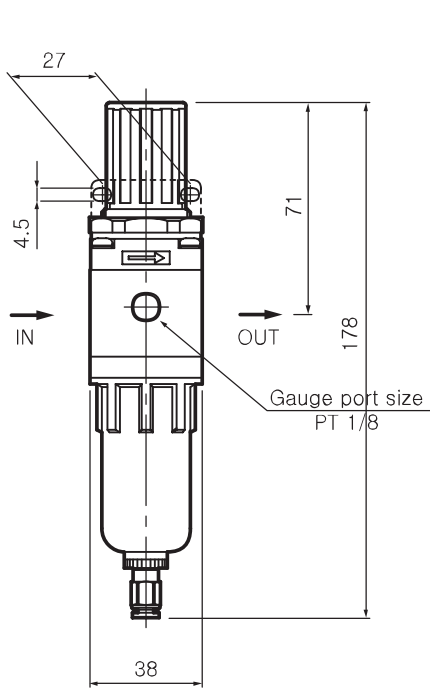
SAWM 6000M



No.	PARTS	MATERIAL
1	Cover	ALDC
2	Diaphragm	NBR
3	Check valve	NBR
4	Packing	NBR
5	Element	Glass fiber
6	Handle	N66G
7	Spring	SWP
8	Body	ALDC
9	Bowl	PC
10	Drain part	

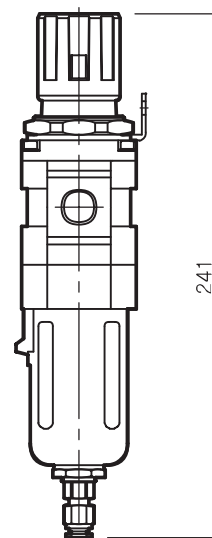
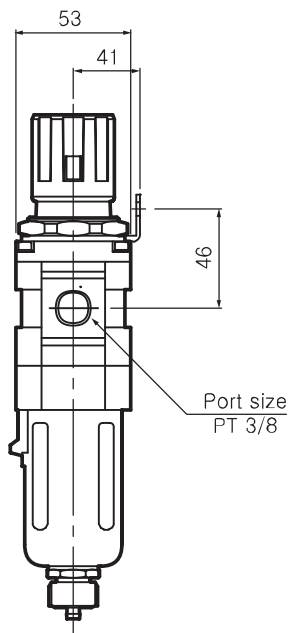
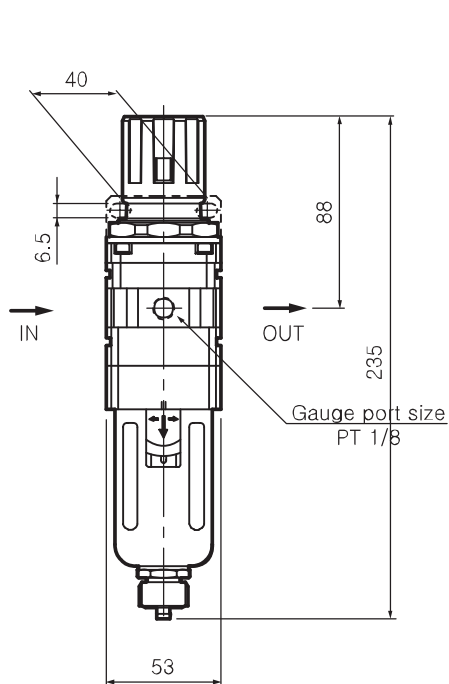
● DIMENSIONS(mm)

SAWM 2000M



With differential pressure type auto drain

SAWM 3000M

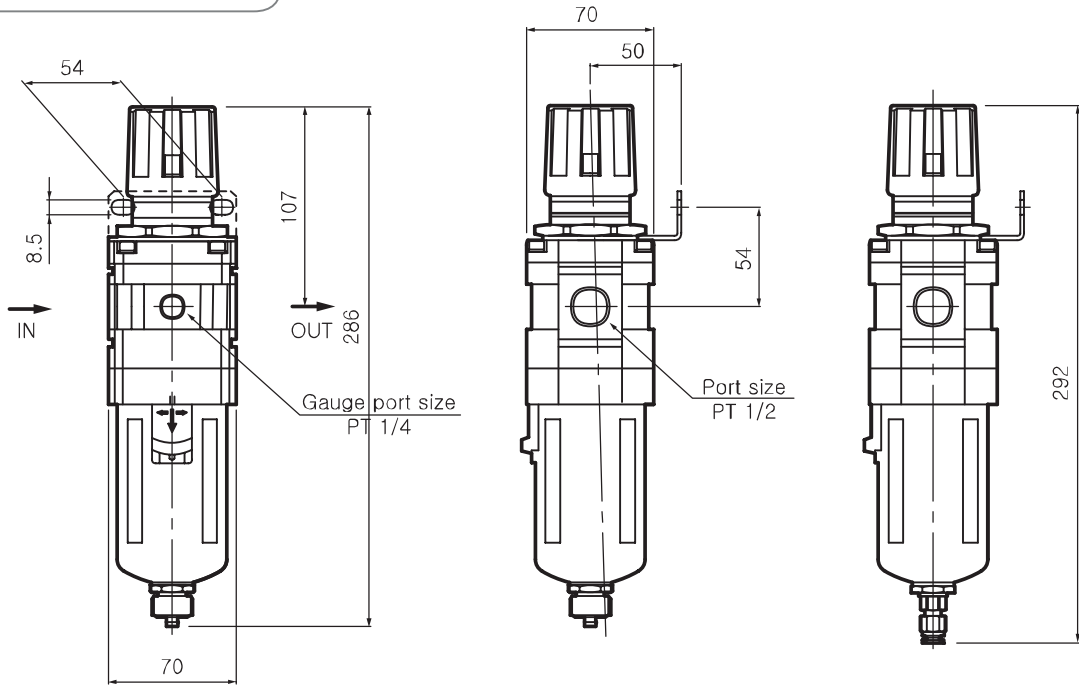


With float style type drain

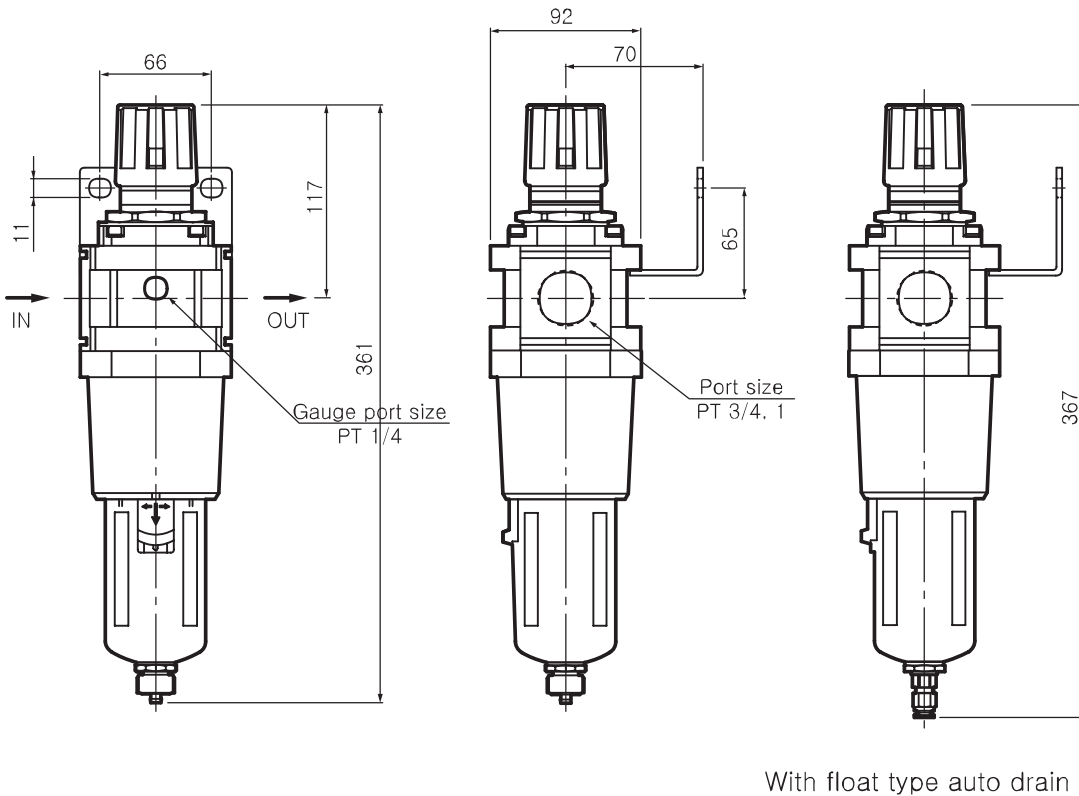
SAWM

● DIMENSIONS(mm)

SAWM 4000M



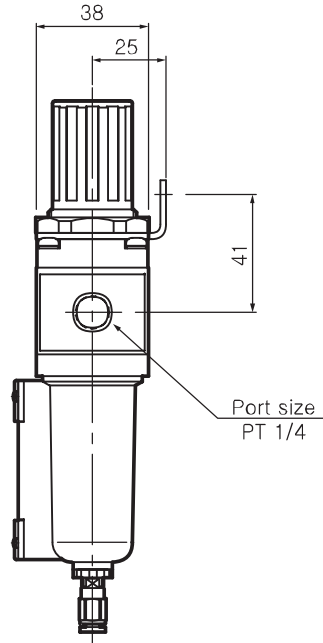
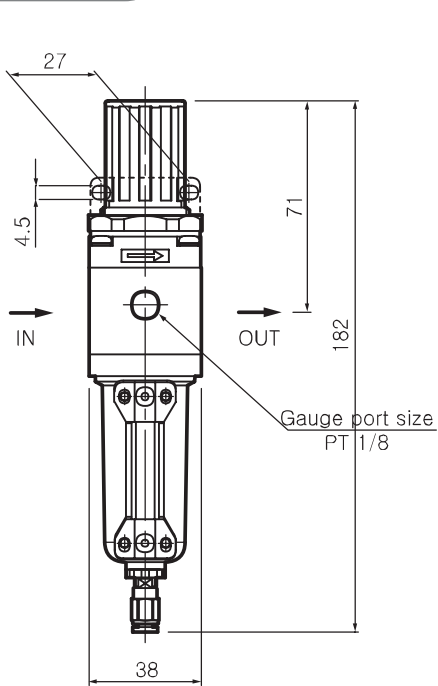
SAWM 6000M



SAWM

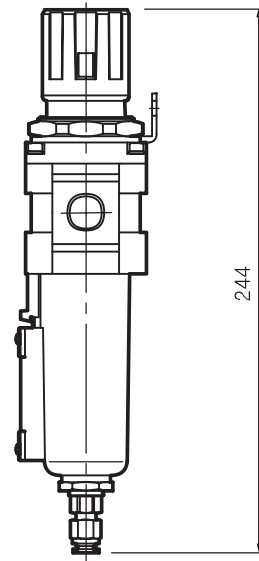
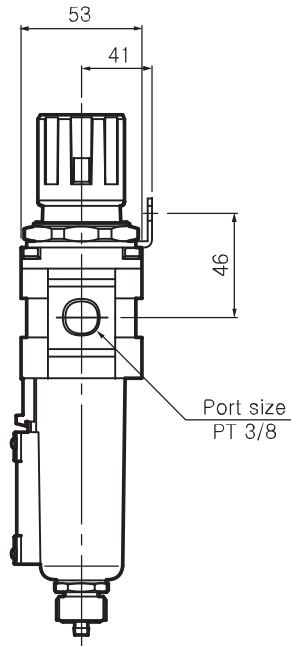
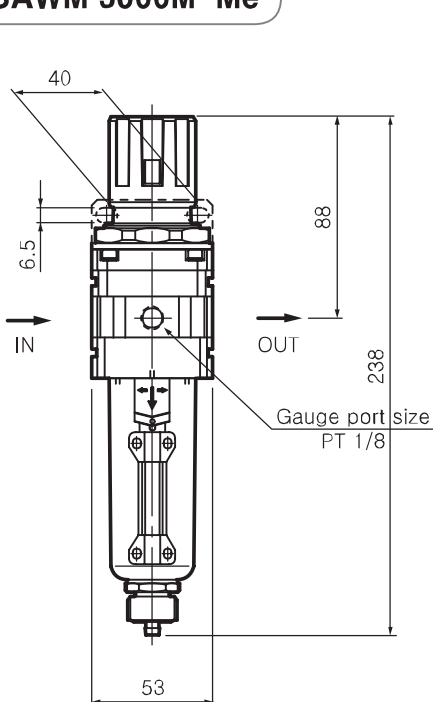
● DIMENSIONS(mm) – Metal Bowl

SAWM 2000M-Me



With differential pressure type auto drain

SAWM 3000M-Me

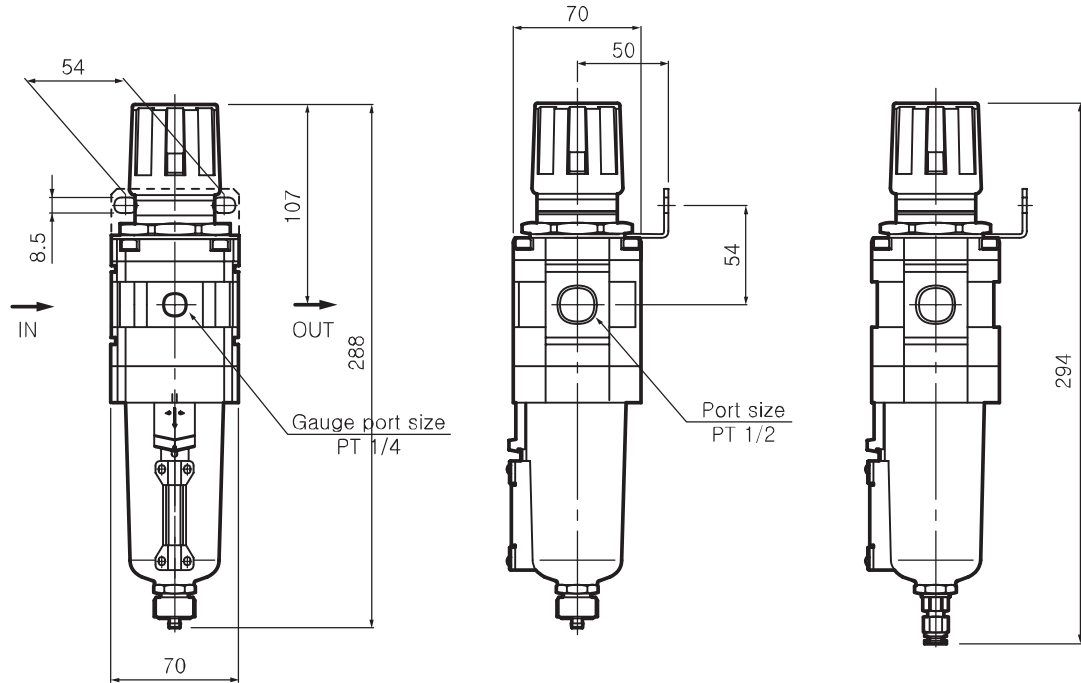


With float type auto drain

SAWM

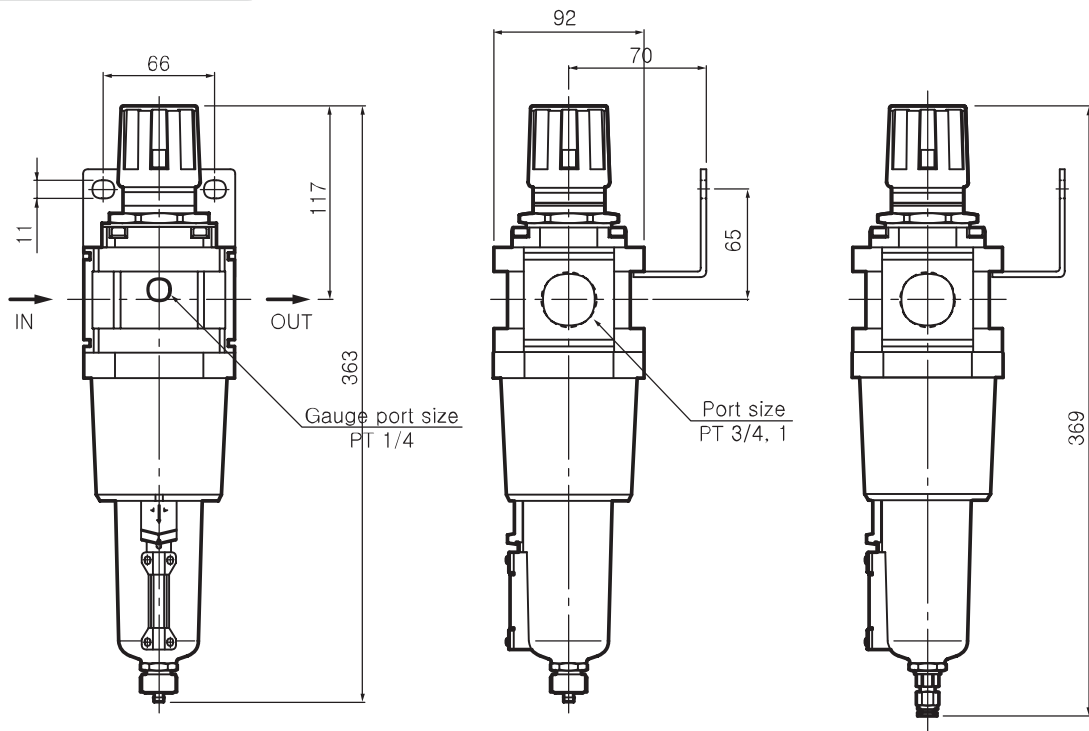
● DIMENSIONS(mm) – Metal Bowl

SAWM 4000M-Me



With float type auto drain

SAWM 6000M-Me



With float type auto drain

SAWM

Micro mist separator regulator(AWD)



◆ SAWD2000M~6000M Series

- SAWD series are compact type assemblies of a micro mist separator and a regulator.

● How to order

SAWD 30 00M- 03 BDG - Me

1 Micro mist separator regulator

2 Body Size
20 - 1/4
30 - 3/8
40 - 1/2
60 - 1

3 Port Size
02 - Rc(PT) 1/4 "
03 - Rc(PT) 3/8 "
04 - Rc(PT) 1/2 "
06 - Rc(PT) 3/4 "
10 - Rc(PT) 1 "

4 Accessory(Optional)
Nil - Manual Drain
B - Bracket
D - Auto Drain
G - Gauge

5 Option
Nil - PC Bowl
Me - Metal Bowl

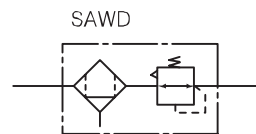


SAWD4000M



SAWD2000M

● Symbol



● Specification

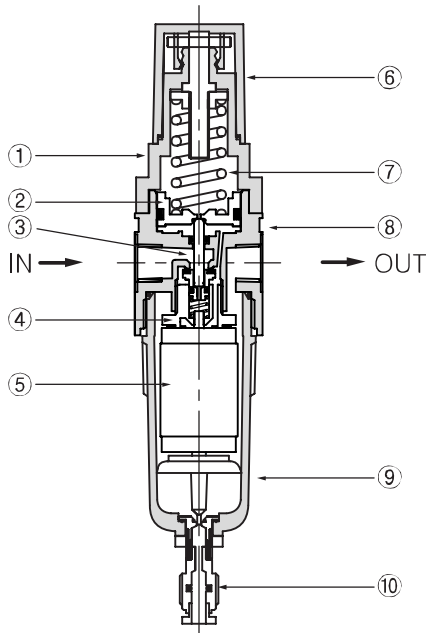
Max. supply pressure	1.5MPa [15.3 kgf/cm ²]
Max. operating pressure	0.97MPa [9.9 kgf/cm ²]
Regulating range	50~850kPa [0.5~8.7 kgf/cm ²]
Ambient and media temperature	5 ~ 60℃
Filtration	0.01μm
Bowl material	Poly-carbonate · Metal
Construction	Relief type

● Precautions

- Poly-carbonate bowls may be damaged and highly possible to fail if exposed to synthetic oils, thinner solvents, trichloroethylene, kerosene, chloroform, cyclohexane or other aromatic hydrocarbons and such environment exposed chemicals such as above.
- When auto drain is used :
Drain piping should be both 4mm or greater in diameter and less than 1m in length.
Also should avoid setting drain piping upwards.
- When auto drain is out of order, it is possible to drain manually by operating one-touch-fitting vertically.
- With a drain cock attached, drain can be done when the head of liquid is shown at the glass indication tube.

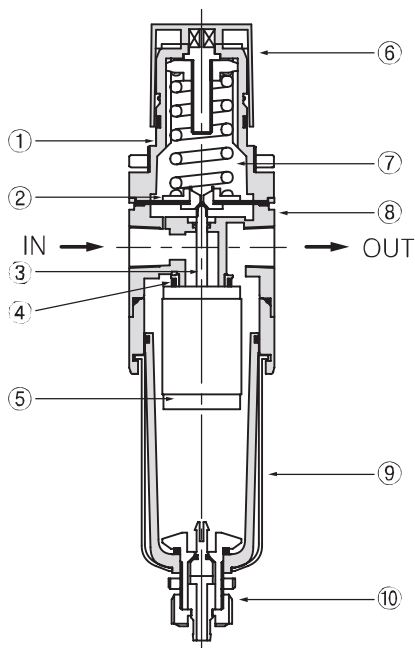
● STRUCTURE / PARTS

SAWD 2000M



No.	PARTS	MATERIAL
1	Cover	N66G
2	Diaphragm	NBR
3	Check valve	NBR
4	Packing	NBR
5	Element	Glass fiber
6	Handle	N66G
7	Spring	SWP
8	Body	ZnDC
9	Bowl	PC
10	Drain part	

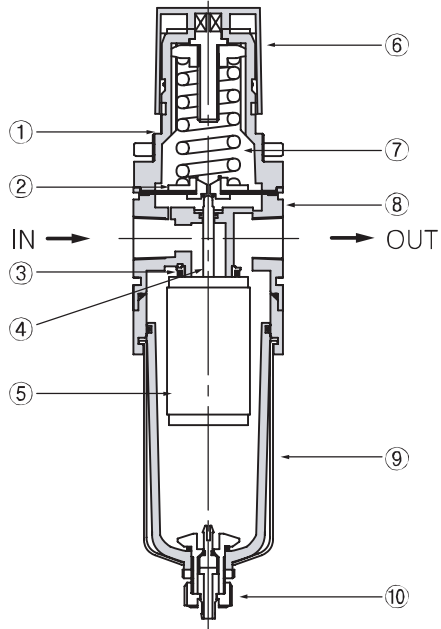
SAWD 3000M



No.	PARTS	MATERIAL
1	Cover	N66G
2	Diaphragm	NBR
3	Check valve	NBR
4	Packing	NBR
5	Element	Glass fiber
6	Handle	N66G
7	Spring	SWP
8	Body	ALDC
9	Bowl	PC
10	Drain part	

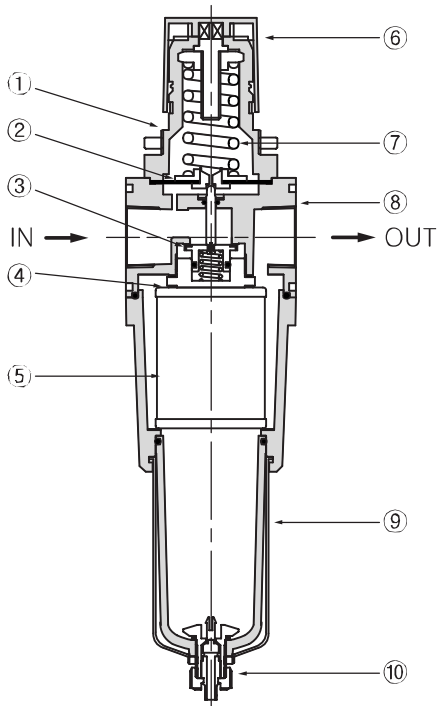
● STRUCTURE / PARTS

SAWD 4000M



No.	PARTS	MATERIAL
1	Cover	ALDC
2	Diaphragm	NBR
3	Check valve	NBR
4	Packing	NBR
5	Element	Glass fiber
6	Handle	N66G
7	Spring	SWP
8	Body	ALDC
9	Bowl	PC
10	Drain part	

SAWD 6000M



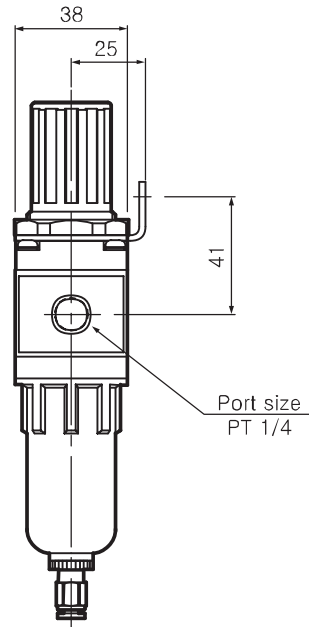
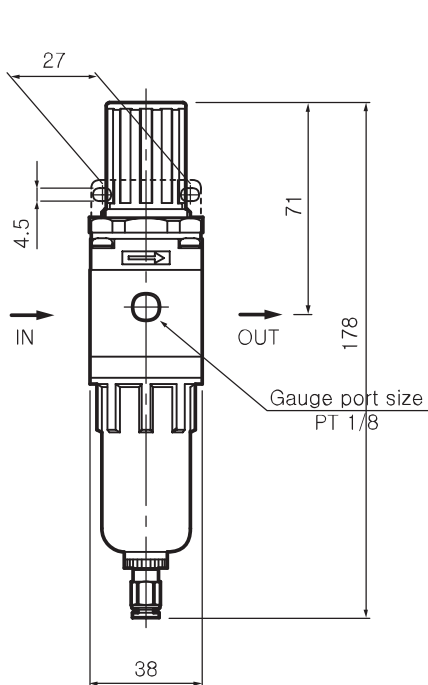
No.	PARTS	MATERIAL
1	Cover	ALDC
2	Diaphragm	NBR
3	Check valve	NBR
4	Packing	NBR
5	Element	Glass fiber
6	Handle	N66G
7	Spring	SWP
8	Body	ALDC
9	Bowl	PC
10	Drain part	

SAWD Series



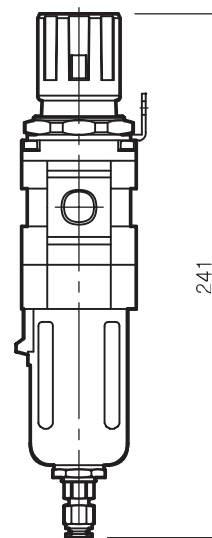
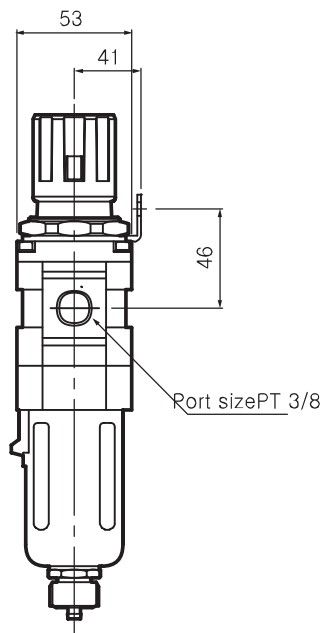
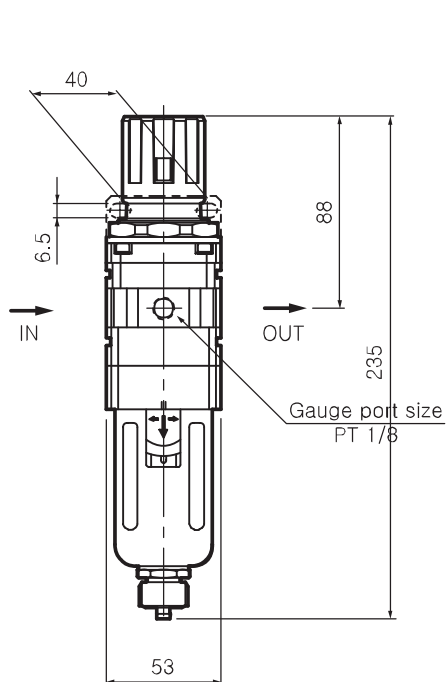
● DIMENSIONS(mm)

SAWD 2000M



With differential pressure type auto drain

SAWD 3000M

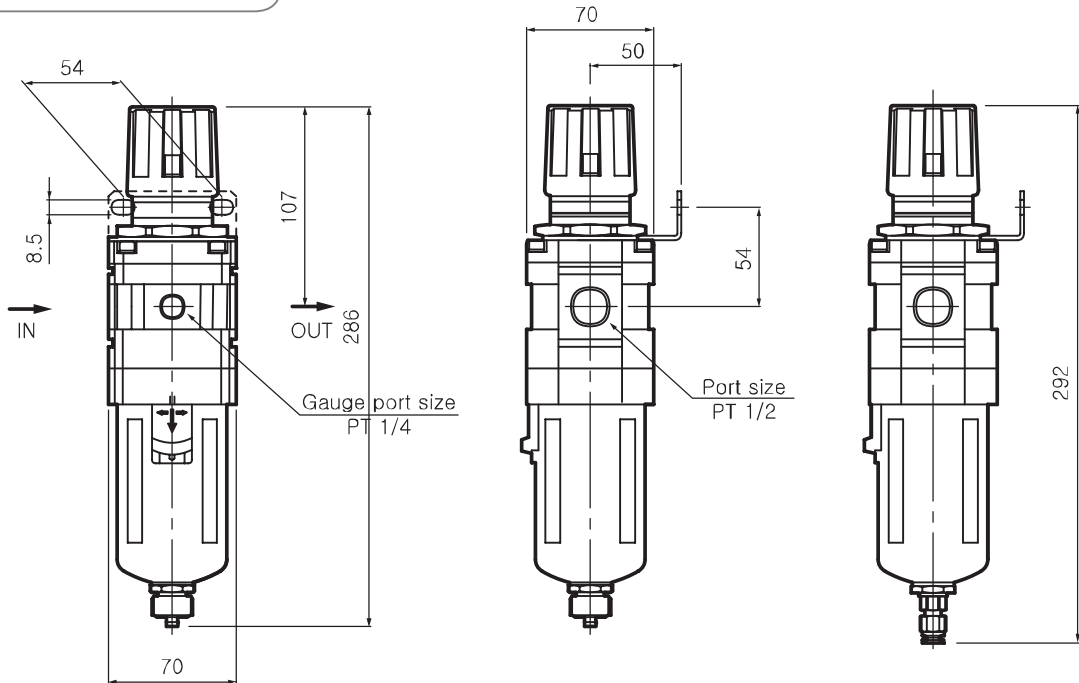


With float type auto drain

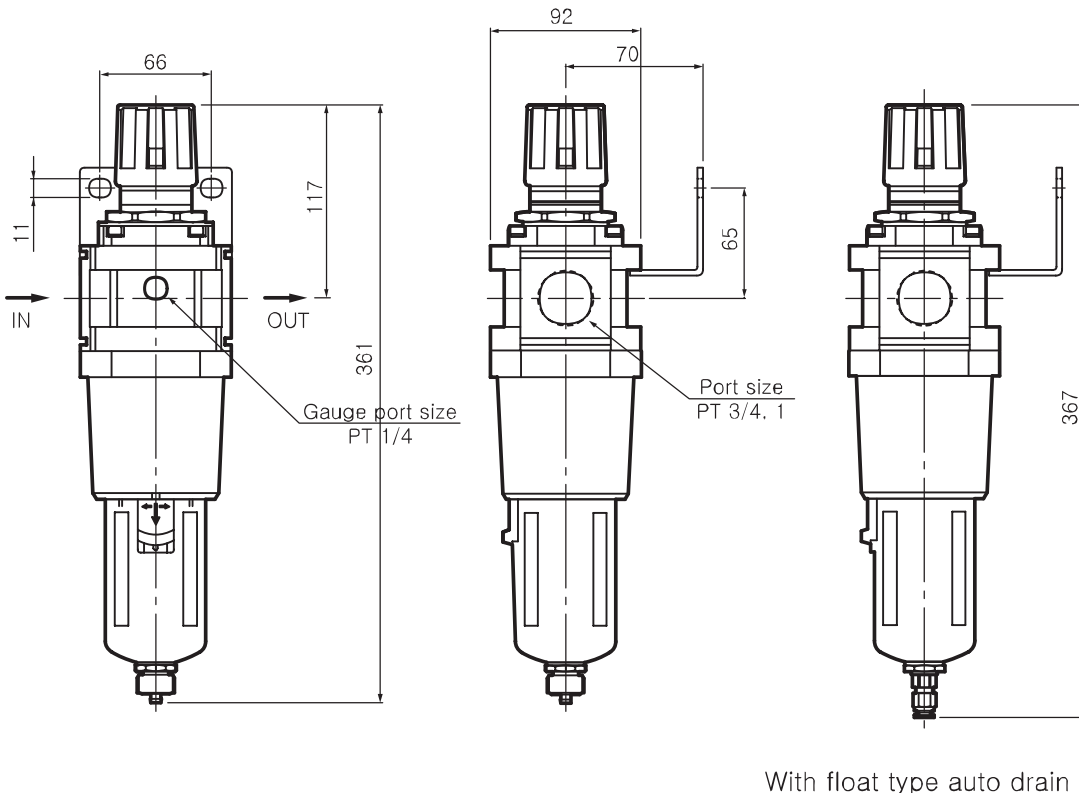
SAWD

● DIMENSIONS(mm)

SAWD 4000M



SAWD 6000M



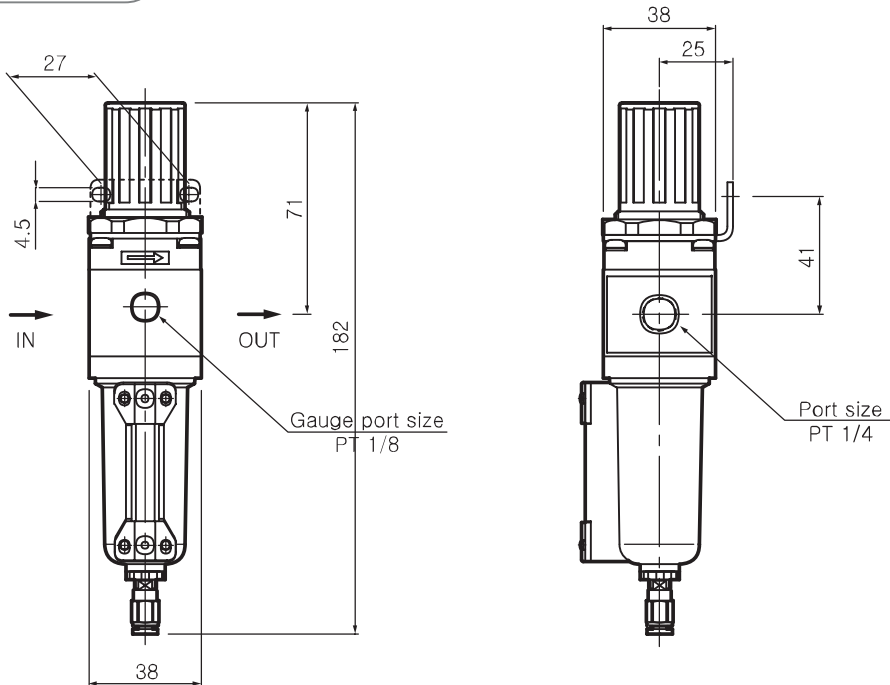
SAWD

SAWD Series



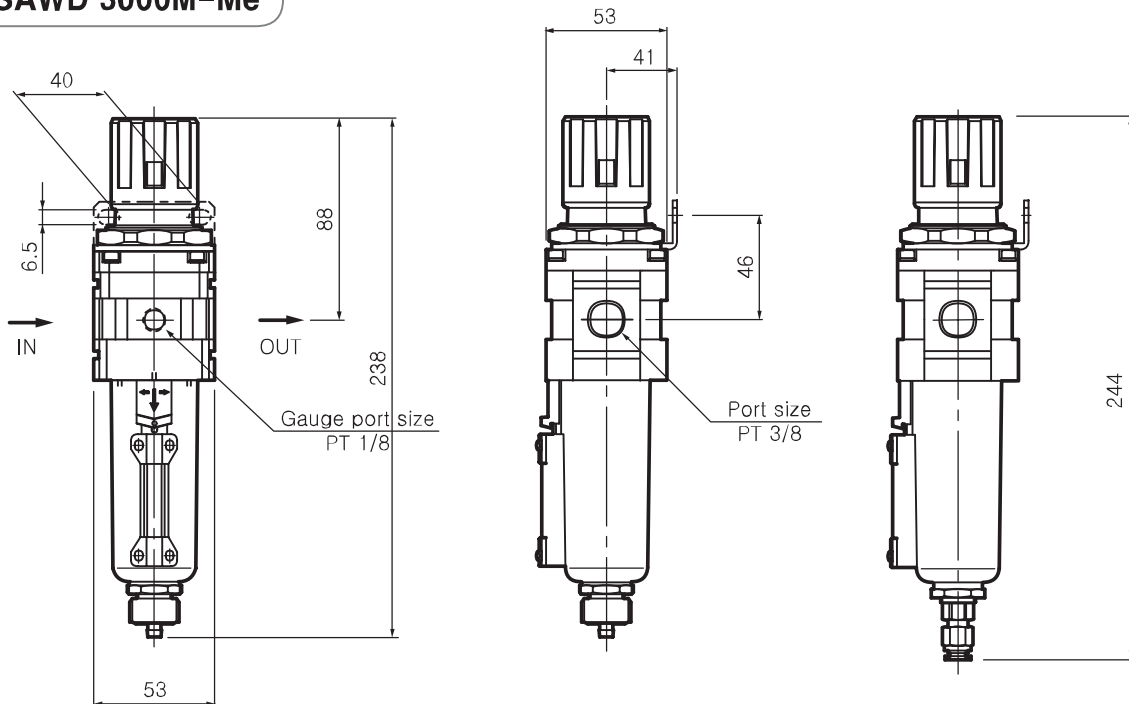
● DIMENSIONS(mm) – Metal Bowl

SAWD 2000M-Me



With differential pressure type auto drain

SAWD 3000M-Me

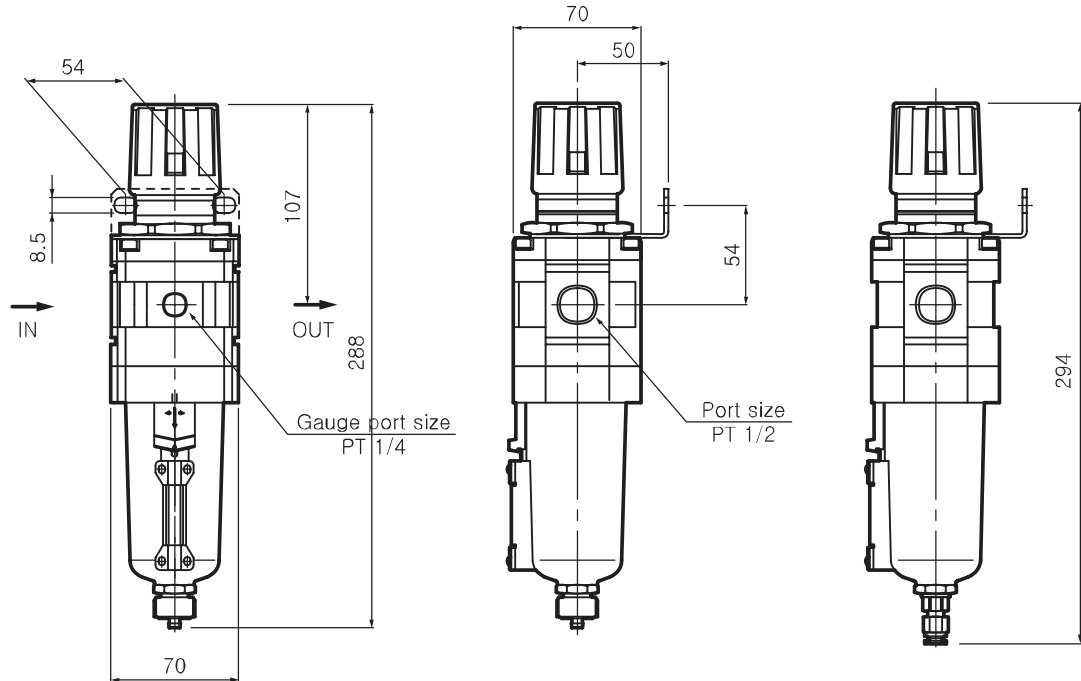


With float type auto drain

SAWD

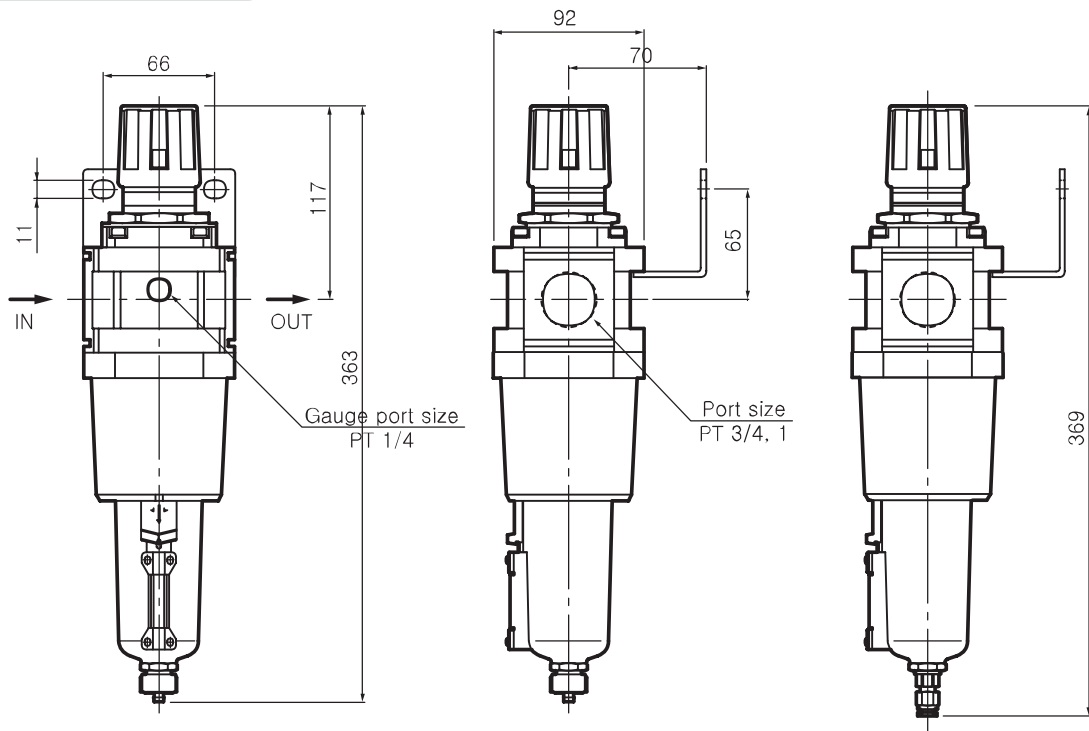
● DIMENSIONS(mm) – Metal Bowl

SAWD 4000M-Me



With float type auto drain

SAWD 6000M-Me



With float type auto drain

SAWD