

# Modular type Regulator(AR)

## ◆ SAR2000M~6000M Series



SAR6000M

SAR3000M

SAR2000M

### ● How to order

**SAR 3000 M - 03 BG**

1 Regulator

2 Body Size

20 - 1/4

30 - 3/8

40 - 1/2

60 - 1

3 Body Type

M - Modular type

T - T-type handle

4 Port Size

02 - Rc(PT) 1/4 "

03 - Rc(PT) 3/8 "

04 - Rc(PT) 1/2 "

06 - Rc(PT) 3/4 "

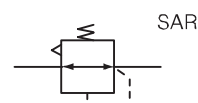
10 - Rc(PT) 1 "

5 Accessory(Optional)

B - Bracket

G - Gauge

### ● Symbol



### ● Specification

Max. supply pressure	1.5MPa [15.3 kgf/cm <sup>2</sup> ]
Max. operating pressure	0.97MPa [9.9 kgf/cm <sup>2</sup> ]
Regulating range	50~850kPa [0.5~8.7 kgf/cm <sup>2</sup> ]
Ambient and media temperature	5 ~ 60℃
Port size for Gauge Rc(PT)	1/8 · 1/4
Construction	Relief type

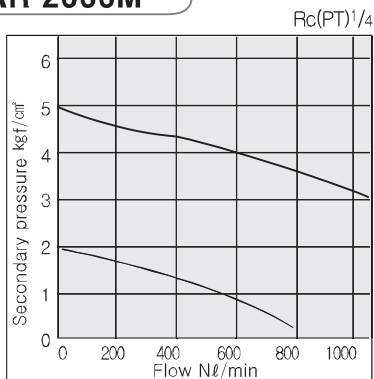
### ● Precautions

- ① To unlock the handle, pull it until the orange marked underneath it shows. And then push the regulating handle again to lock after setting pressure.
- ② When regulating pressure, turning the handle to the right raises the pressure of secondary side. Turning to the opposite(left) direction drops the pressure.
- ③ Regulating pressure range of the secondary side is less than 85% of the first side.

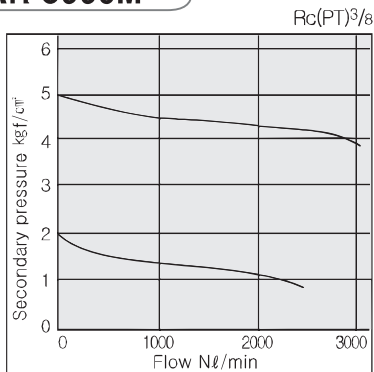
SAR

## FLOW CHARACTERISTICS

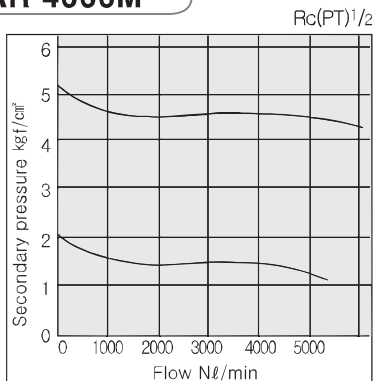
### SAR 2000M



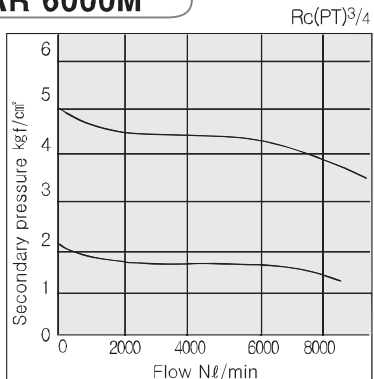
### SAR 3000M



### SAR 4000M

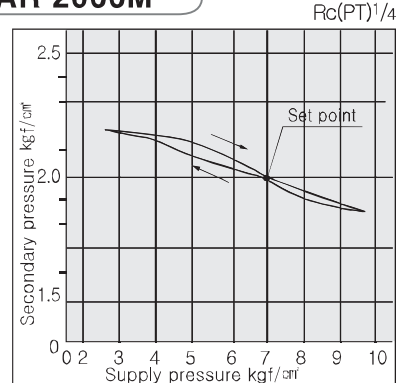


### SAR 6000M

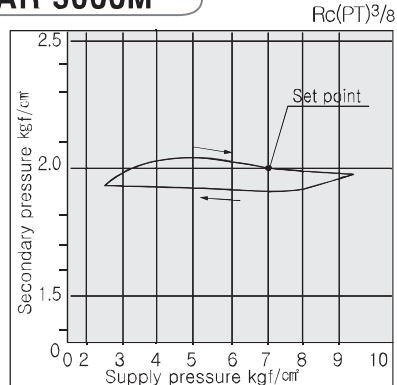


## PRESSURE CHARACTERISTICS

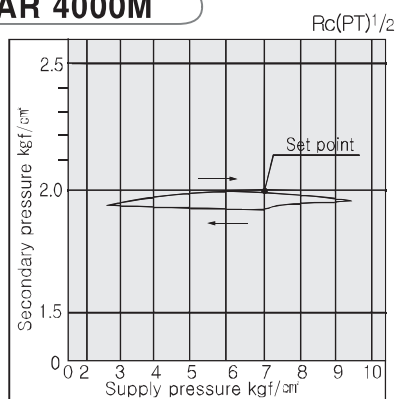
### SAR 2000M



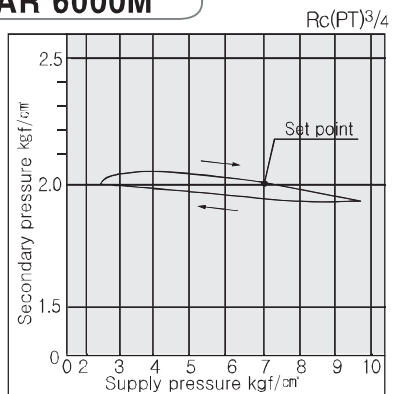
### SAR 3000M



### SAR 4000M

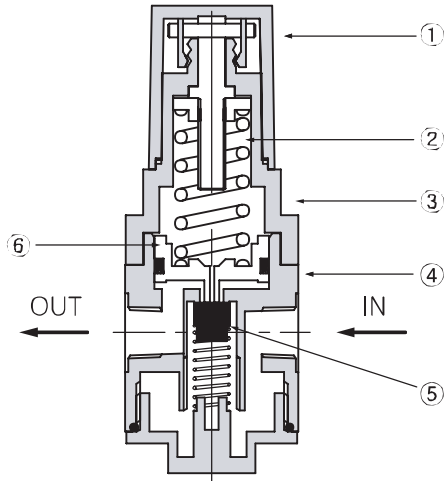


### SAR 6000M



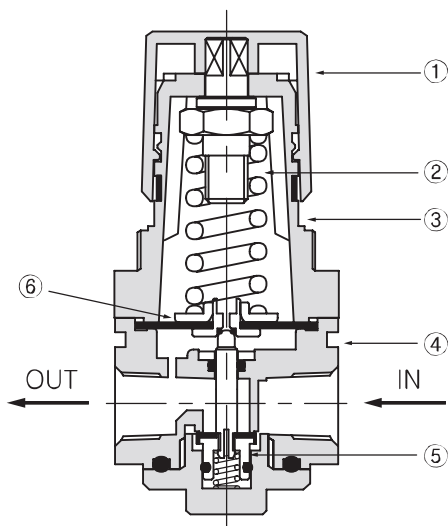
## ● STRUCTURE / PARTS

### SAR 2000M



No.	PARTS	MATERIAL
1	Handle	N66G
2	Spring	SWP
3	Cover	N66G
4	Body	ZnDC
5	Check valve	NBR
6	Piston	N66G

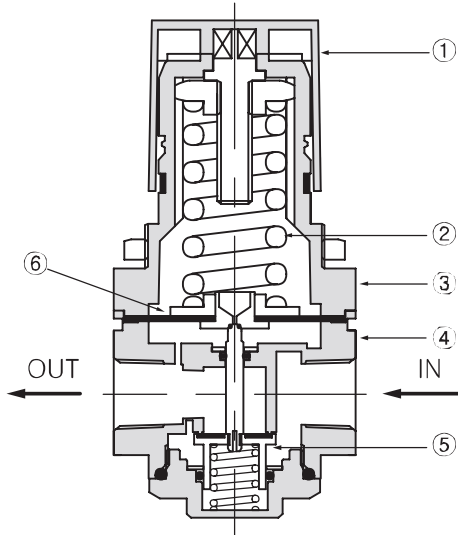
### SAR 3000M



No.	PARTS	MATERIAL
1	Handle	N66G
2	Spring	SWP
3	Cover	N66G
4	Body	ALDC
5	Check valve	NBR
6	Diaphragm	NBR

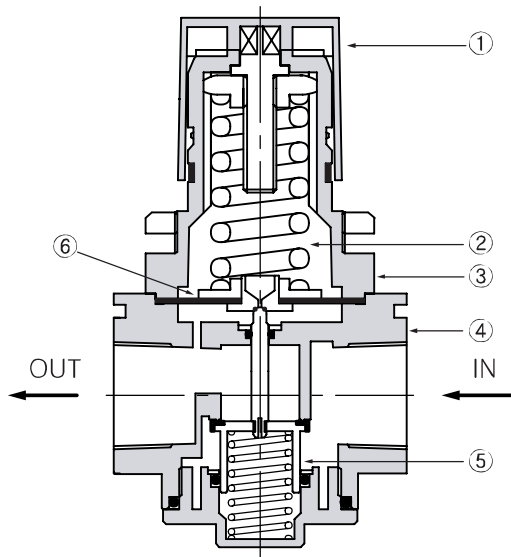
## ● STRUCTURE / PARTS

### SAR 4000M



No.	PARTS	MATERIAL
1	Handle	N66G
2	Spring	SWP
3	Cover	ALDC
4	Body	ALDC
5	Check valve	NBR
6	Diaphragm	NBR

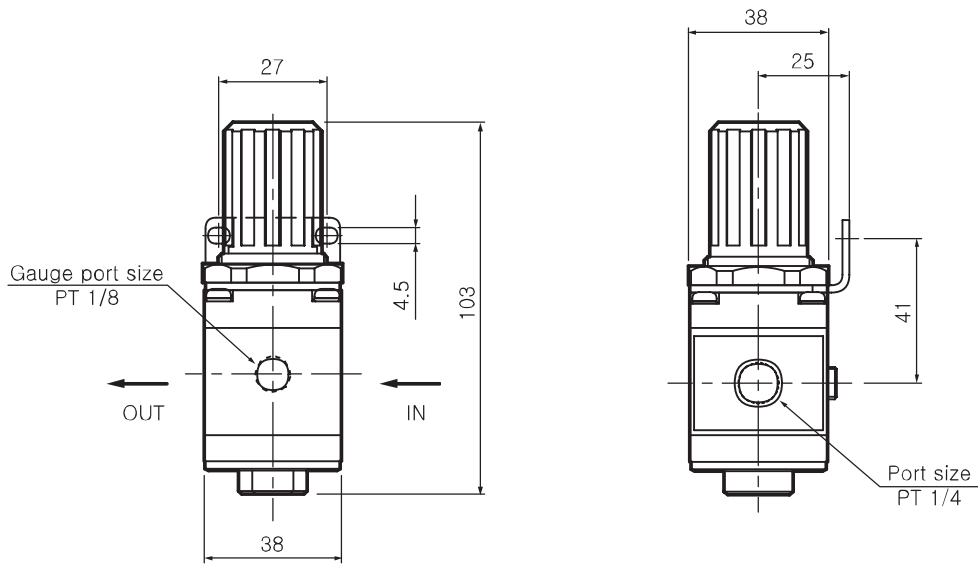
### SAR 6000M



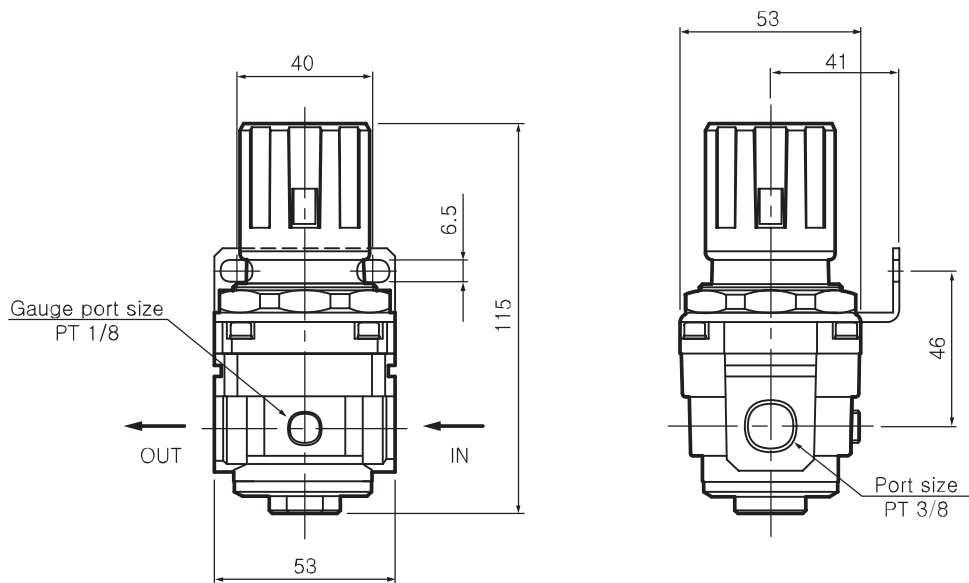
No.	PARTS	MATERIAL
1	Handle	N66G
2	Spring	SWP
3	Cover	ALDC
4	Body	ALDC
5	Check valve	NBR
6	Diaphragm	NBR

## ● DIMENSIONS(mm)

### SAR 2000M

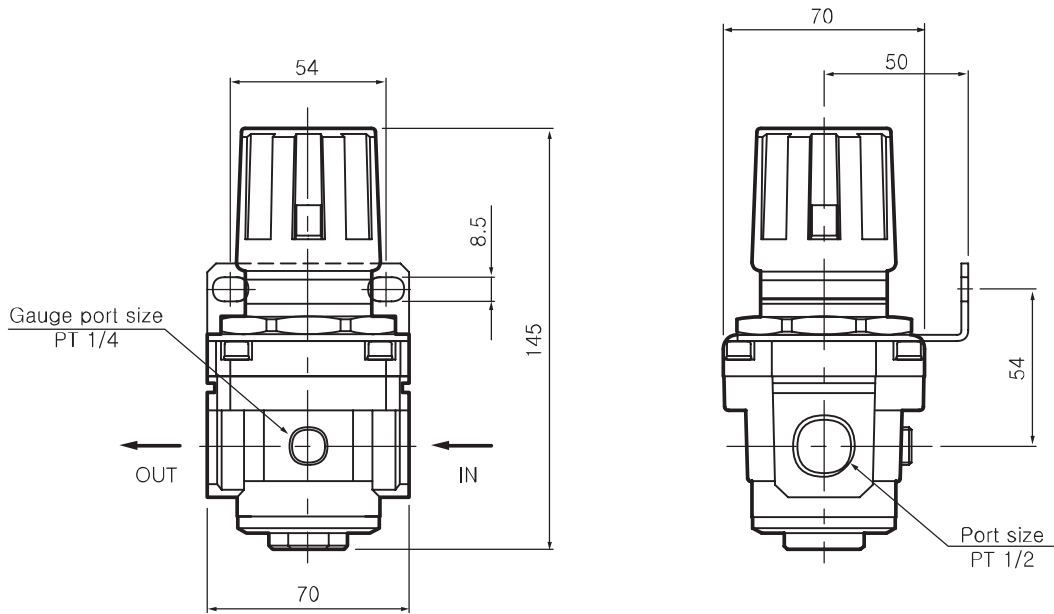


### SAR 3000M

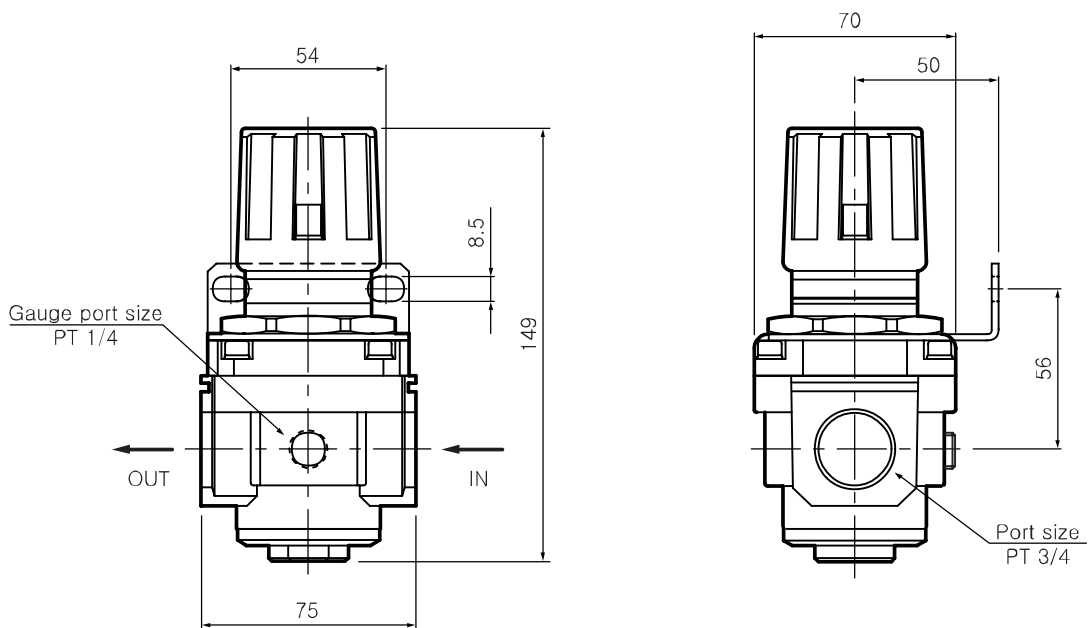


## DIMENSIONS(mm)

### SAR 4000M-04

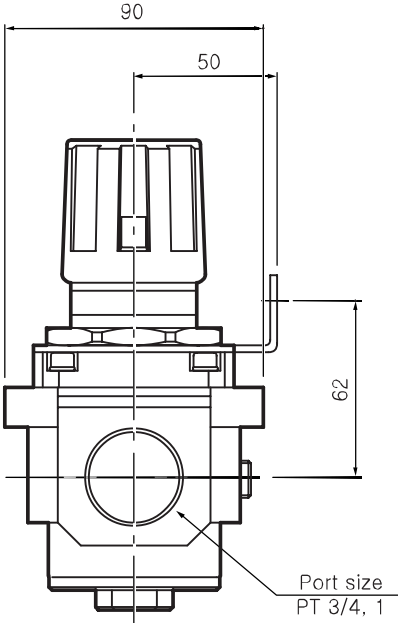
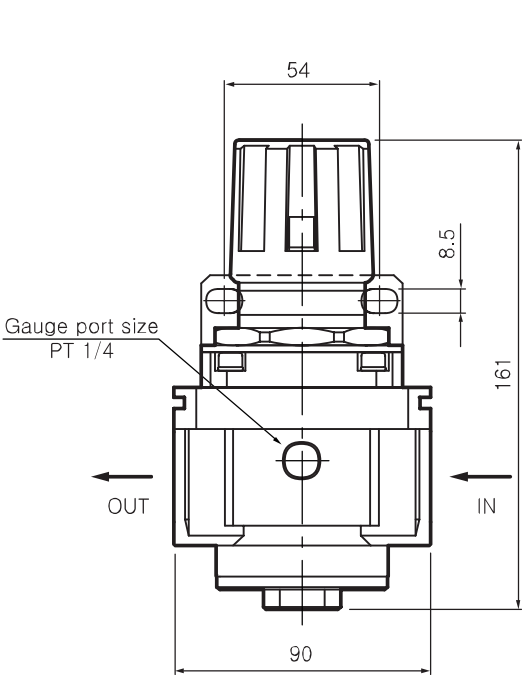


### SAR 4000M-06



● DIMENSIONS(mm)

SAR 6000M



SAR

# T-type Regulator(AR)

## ◆ SAR2000T~6000T Series



SAR4000T

SAR3000T

SAR2000T

### ● How to order

**SAR 3000 T - 03 BG**

1 Regulator

2 Body Size

20 - 1/4

30 - 3/8

40 - 1/2

60 - 1

3 Body Type

T - T-type handle

M - Modular type

4 Port Size

02 - Rc(PT) 1/4 "

03 - Rc(PT) 3/8 "

04 - Rc(PT) 1/2 "

06 - Rc(PT) 3/4 "

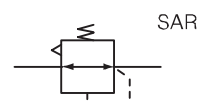
10 - Rc(PT) 1 "

5 Accessory(Optional)

B - Bracket

G - Gauge

### ● Symbol



### ● Specification

Max. supply pressure	1.5MPa [15.3 kgf/cm <sup>2</sup> ]
Max. operating pressure	0.97MPa [9.9 kgf/cm <sup>2</sup> ]
Regulating range	50~850kPa [0.5~8.7 kgf/cm <sup>2</sup> ]
Ambient and media temperature	5 ~ 60℃
Port size for Gauge Rc(PT)	1/8 · 1/4
Construction	Relief type

### ● Precautions

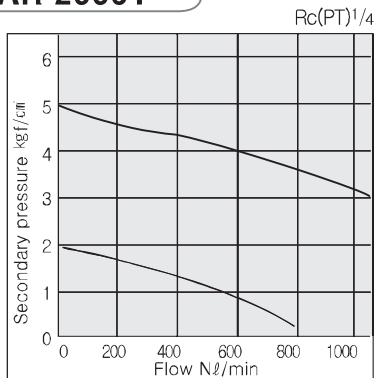
- ① To unlock, unscrew the nut attached to the regulating handle. To lock, screw the nut after setting pressure.
- ② When regulating pressure, turning the handle to the right raises the pressure of secondary side. Turning to the opposite(left) direction drops the pressure.
- ③ Regulating pressure range of the secondary side is less than 85% of the first side.

SAR

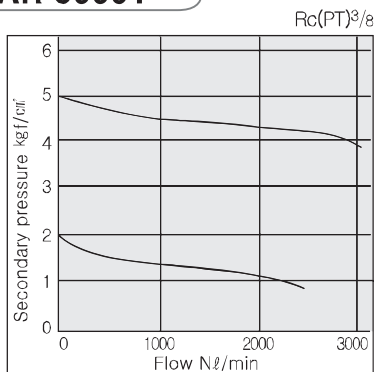


## FLOW CHARACTERISTICS

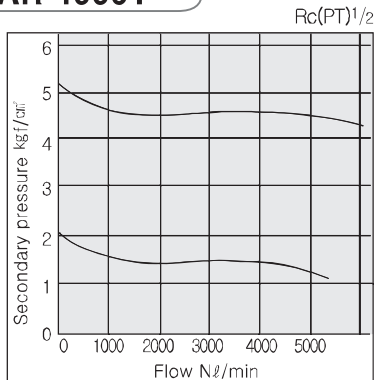
### SAR 2000T



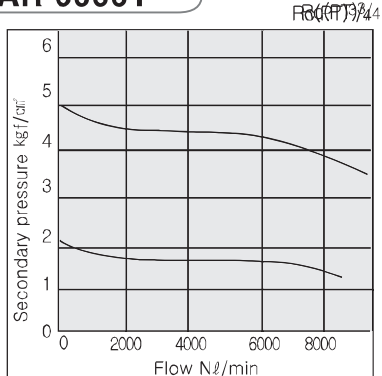
### SAR 3000T



### SAR 4000T

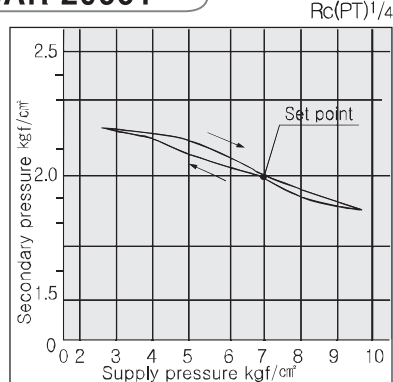


### SAR 6000T

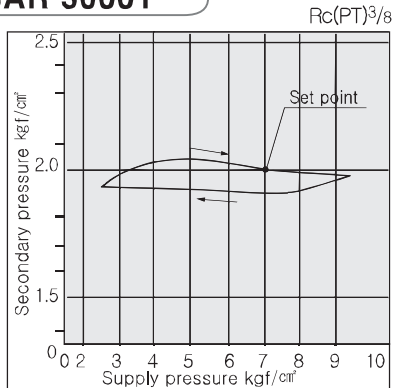


## PRESSURE CHARACTERISTICS

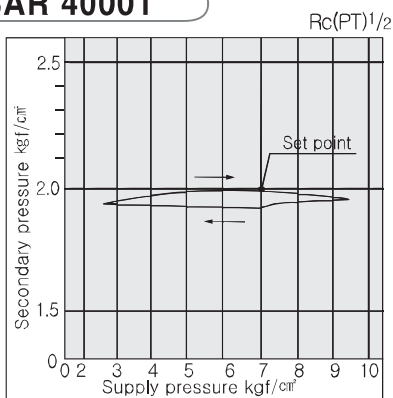
### SAR 2000T



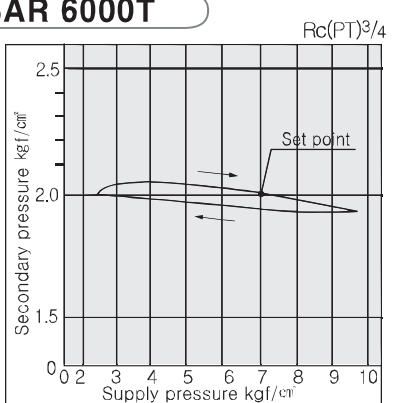
### SAR 3000T



### SAR 4000T

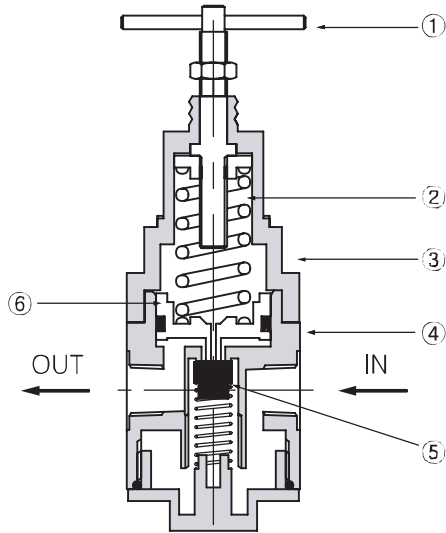


### SAR 6000T



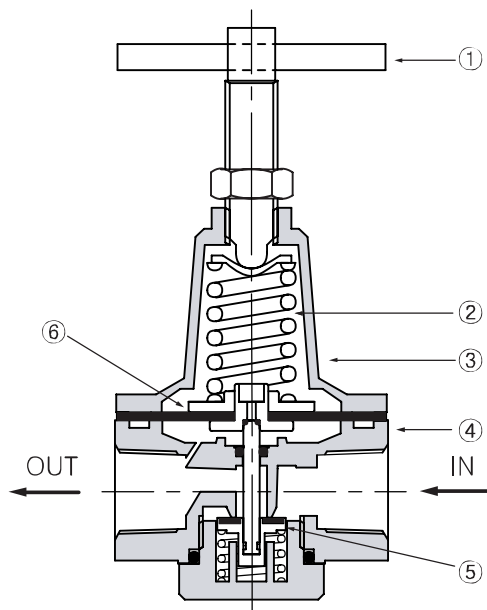
## ● STRUCTURE / PARTS

### SAR 2000T



No.	PARTS	MATERIAL
1	Handle	Bs
2	Spring	SWP
3	Cover	N66G
4	Body	ZnDC
5	Check valve	NBR
6	Piston	N66G

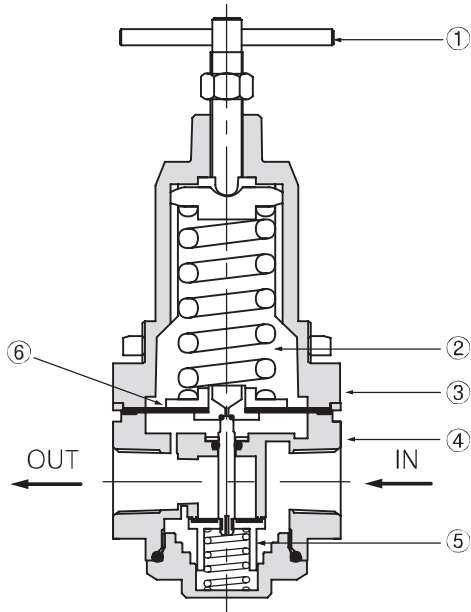
### SAR 3000T



No.	PARTS	MATERIAL
1	Handle	STEEL
2	Spring	SWP
3	Cover	ZnDC
4	Body	ALDC
5	Check valve	NBR
6	Diaphragm	NBR

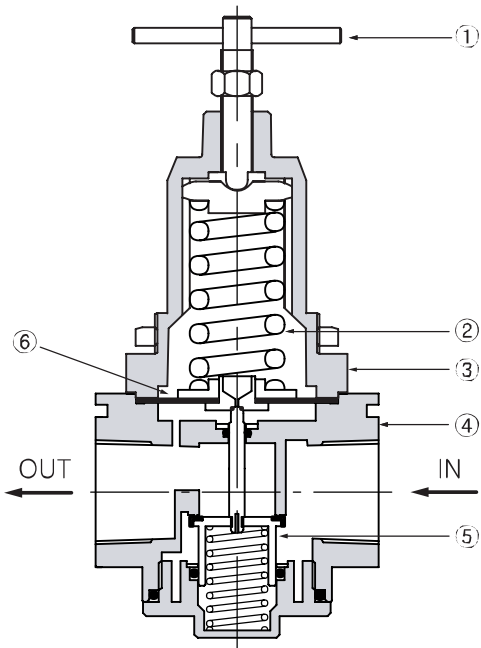
● STRUCTURE / PARTS

**SAR 4000T**



No.	PARTS	MATERIAL
1	Handle	STEEL
2	Spring	SWP
3	Cover	ALDC
4	Body	ALDC
5	Check valve	NBR
6	Diaphragm	NBR

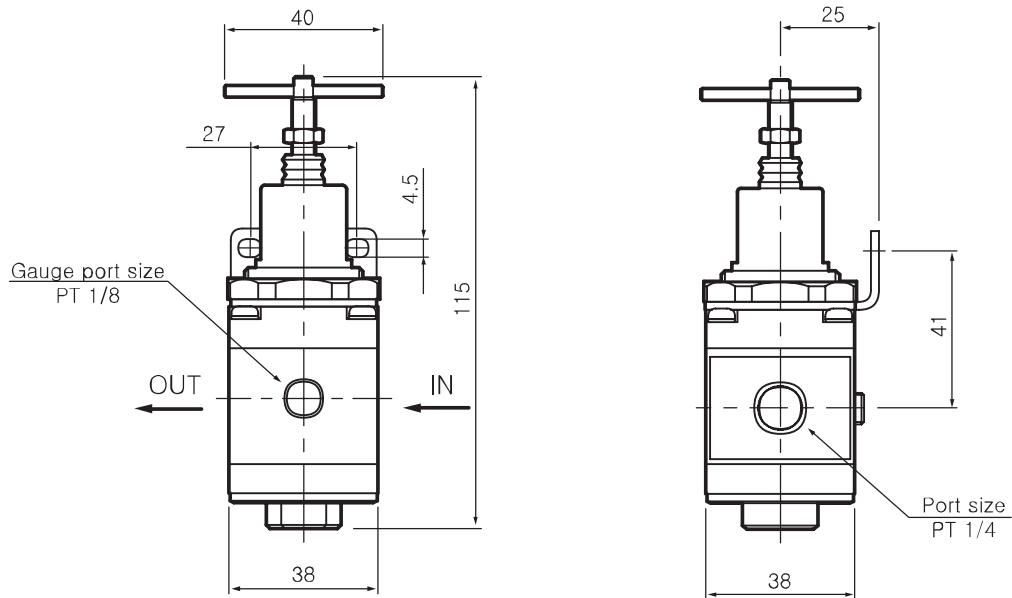
**SAR 6000T**



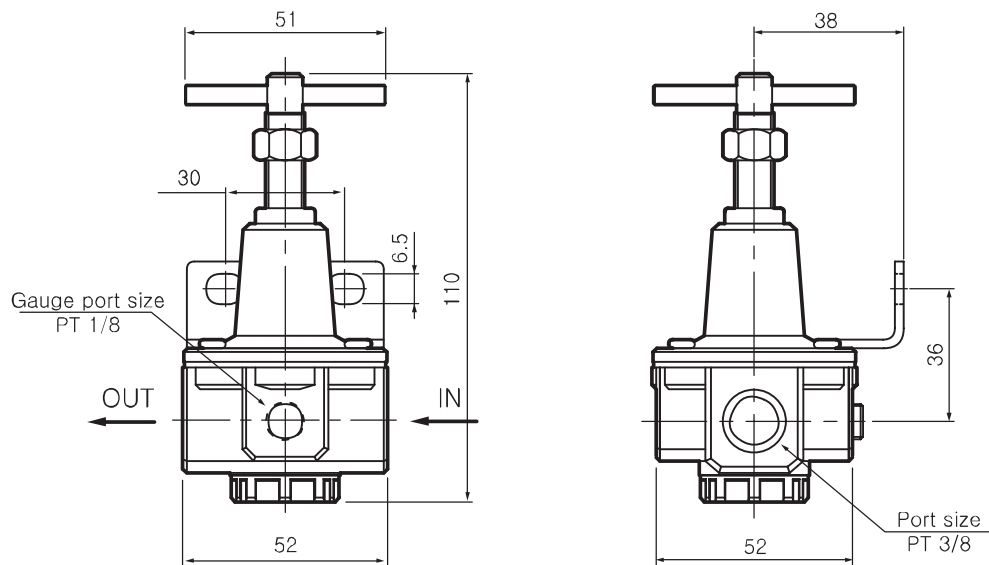
No.	PARTS	MATERIAL
1	Handle	STEEL
2	Spring	SWP
3	Cover	ALDC
4	Body	ALDC
5	Check valve	NBR
6	Diaphragm	NBR

● DIMENSIONS(mm)

**SAR 2000T**



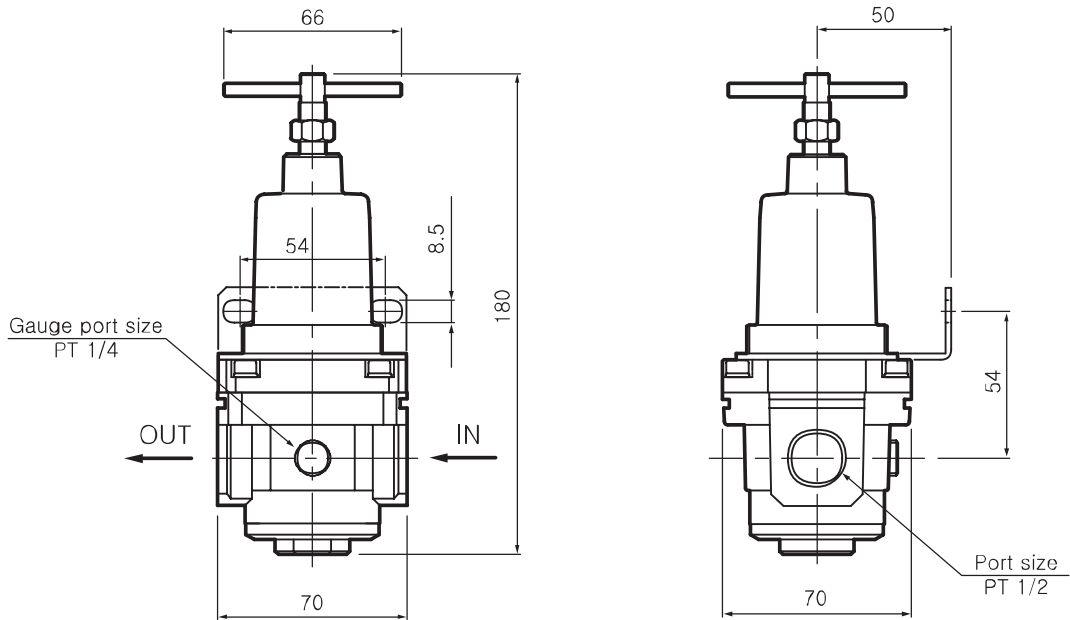
**SAR 3000T**



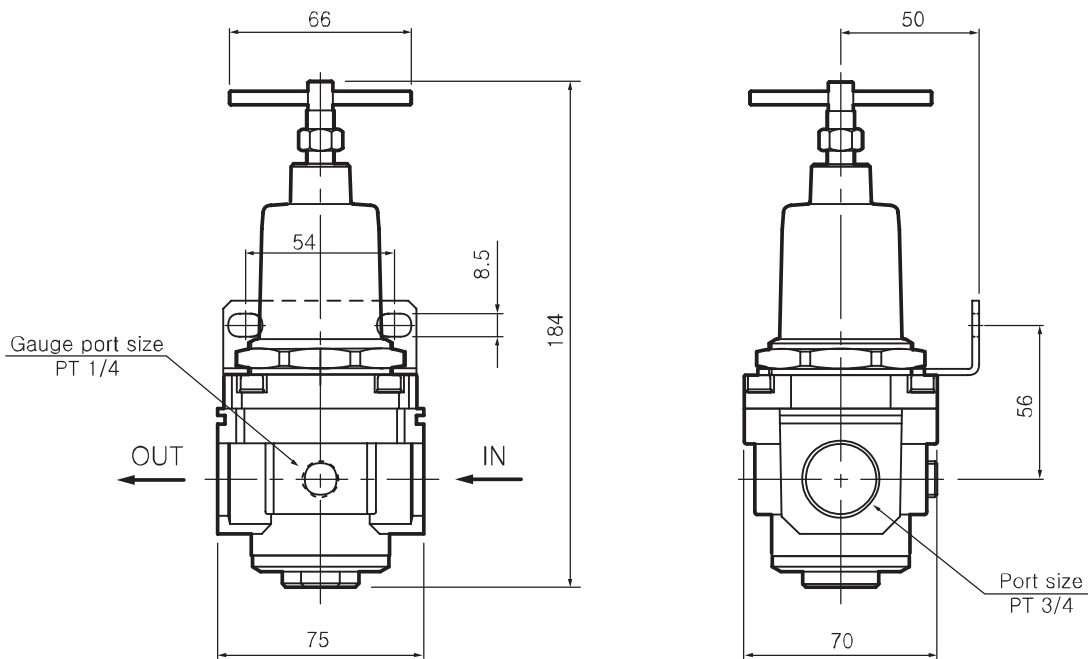
**SAR**

● DIMENSIONS(mm)

**SAR 4000T-04**



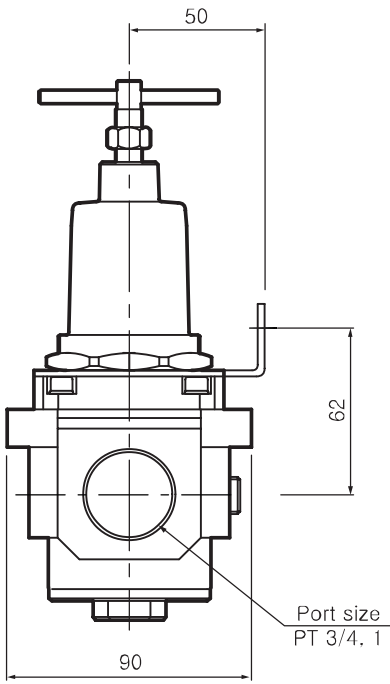
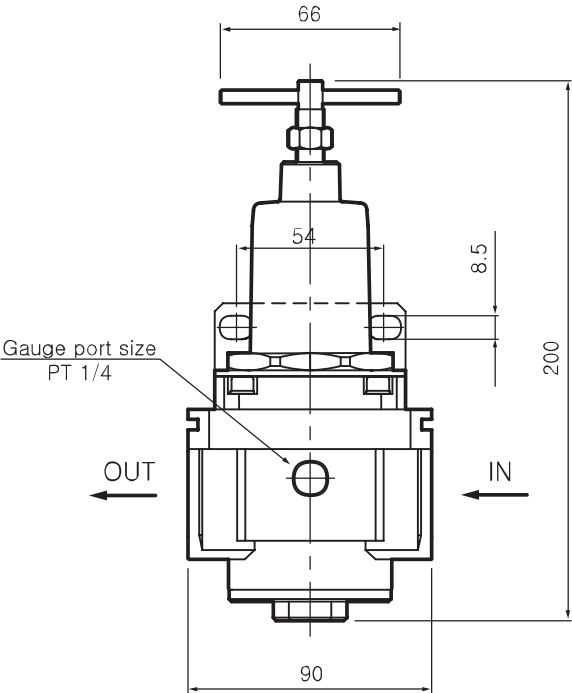
**SAR 4000T-06**



SAR

● DIMENSIONS(mm)

SAR 6000T



SAR