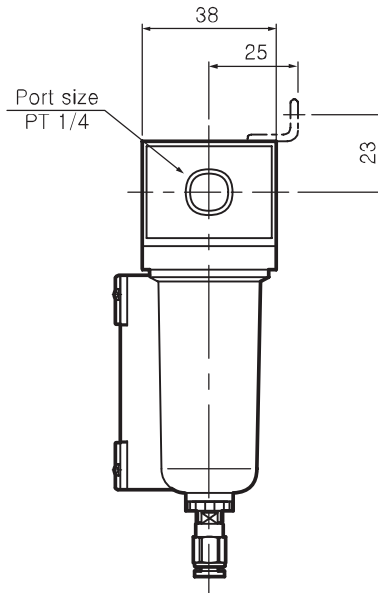
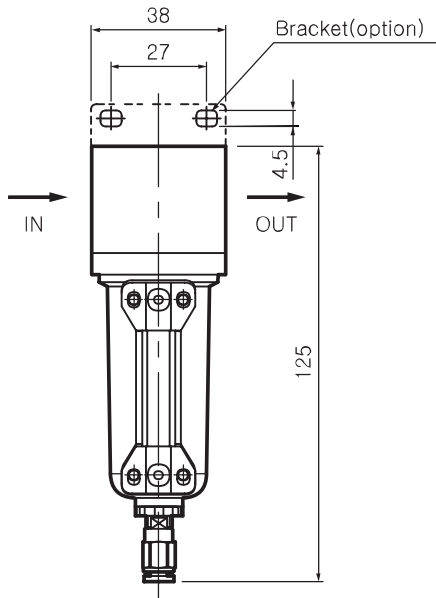


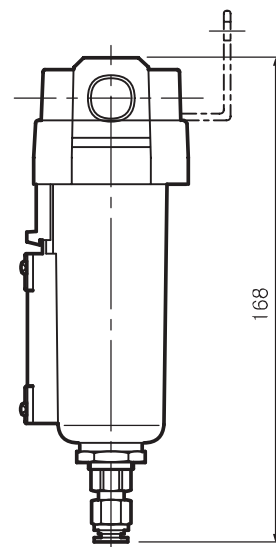
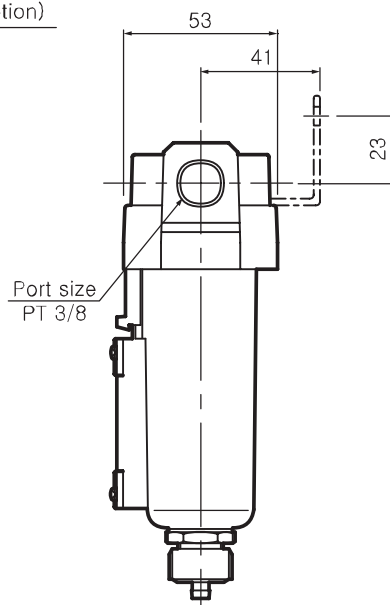
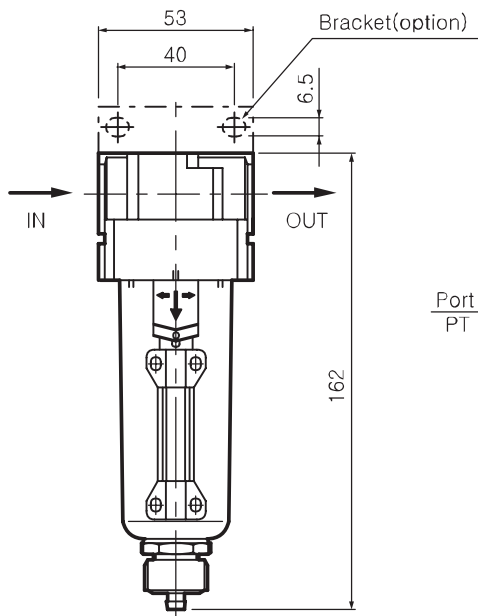
● DIMENSIONS(mm) – Metal Bowl

**SAFM 2000M-Me**



With differential pressure type auto drain

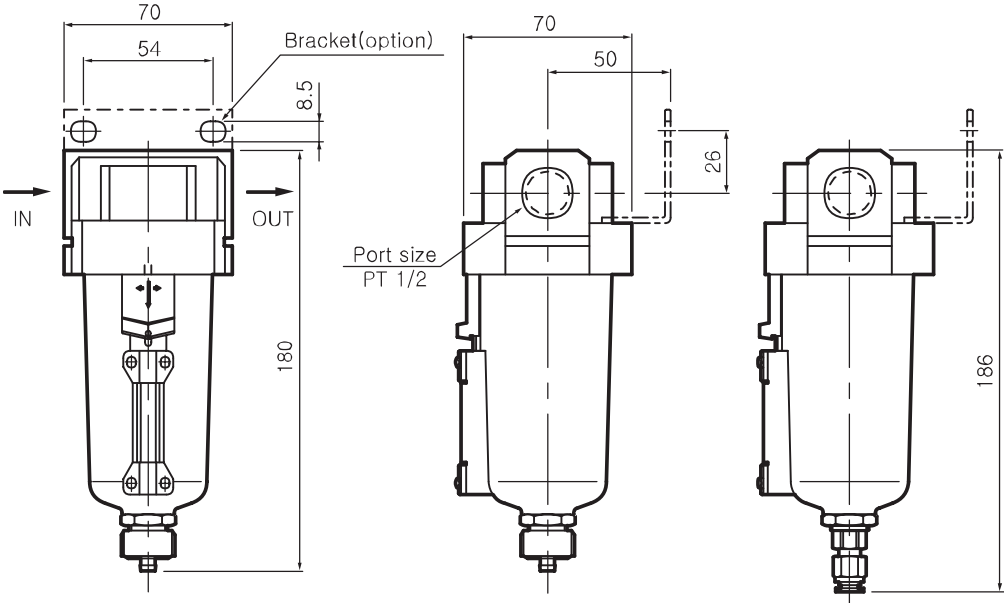
**SAFM 3000M-Me**



With float type auto drain

● DIMENSIONS(mm) – Metal Bowl

**SAFM 4000M-Me**



With float type auto drain

**SAFM**

# Modular type Mist separator(AFM)



## ◆ SAFM2000M~4000M Series



SAFM4000M

SAFM3000M

SAFM2000M

### ● How to order

**SAFM 30 00M-03 BD-Me**

1 Modular type Mist separator

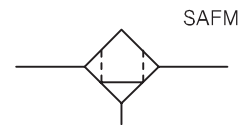
2 Body Size  
20 - 1/4  
30 - 3/8  
40 - 1/2

3 Port Size  
02 - Rc(PT) 1/4"  
03 - Rc(PT) 3/8"  
04 - Rc(PT) 1/2"

4 Accessory(Optional)  
Nil - Manual Drain  
B - Bracket  
D - Auto Drain

5 Option  
Nil - PC Bowl  
Me - PC Bowl

### ● Symbol



### ● Specification

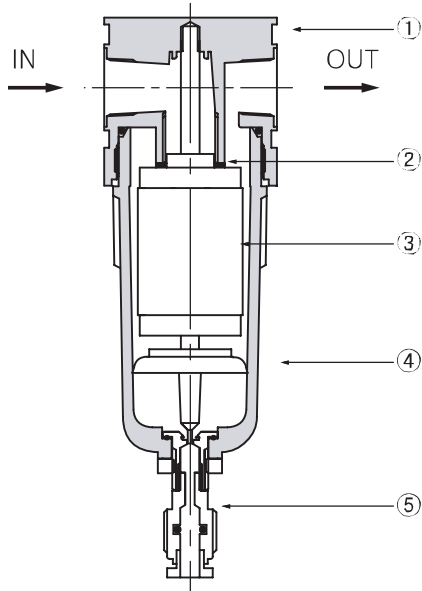
Max. supply pressure	1.5MPa [15.3 kgf/cm <sup>2</sup> ]
Max. operating pressure	1.0MPa [10.2 kgf/cm <sup>2</sup> ]
Min. operating pressure	0.05MPa [0.5 kgf/cm <sup>2</sup> ]
Ambient and media temperature	5 ~ 60 °C
Filtration	0.3µm
Bowl material	Poly-carbonate · Metal

### ● Precautions

- ① Poly-carbonate bowls may be damaged and highly possible to fail if exposed to synthetic oils, thinner solvents, trichloroethylene, kerosene, chloroform, cyclohexane or other aromatic hydrocarbons and such environment exposed chemicals such as above.
- ② When auto drain is used :  
Drain piping should be both 4mm or greater in diameter and less than 1m in length.  
Also should avoid setting drain piping upwards.
- ③ When auto drain is out of order, it is possible to drain manually by operating one-touch-fitting vertically.
- ④ With a drain cock attached, drain can be done when the head of liquid is shown at the glass indication tube.

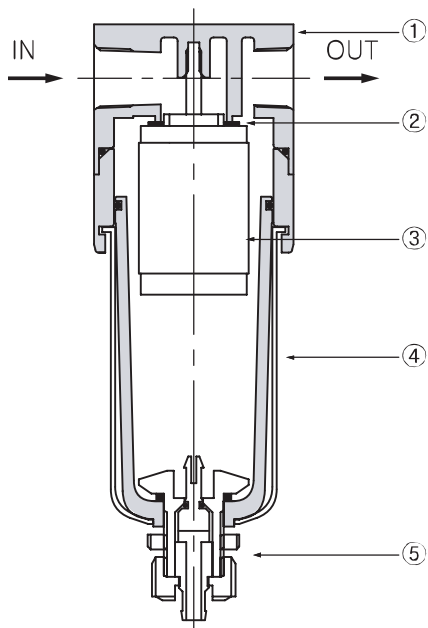
● STRUCTURE / PARTS

**SAFM 2000M**



No.	PARTS	MATERIAL
1	Body	ZnDC
2	Packing	NBR
3	Element	Glass fiber
4	Bowl	PC
5	Drain part	

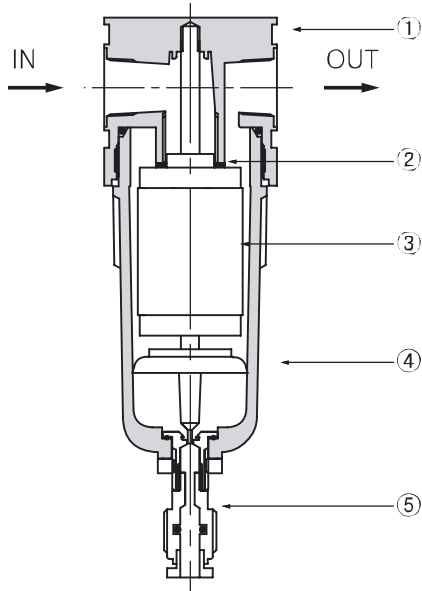
**SAFM 3000M**



No.	PARTS	MATERIAL
1	Body	ALDC
2	Packing	NBR
3	Element	Glass fiber
4	Bowl	PC
5	Drain part	

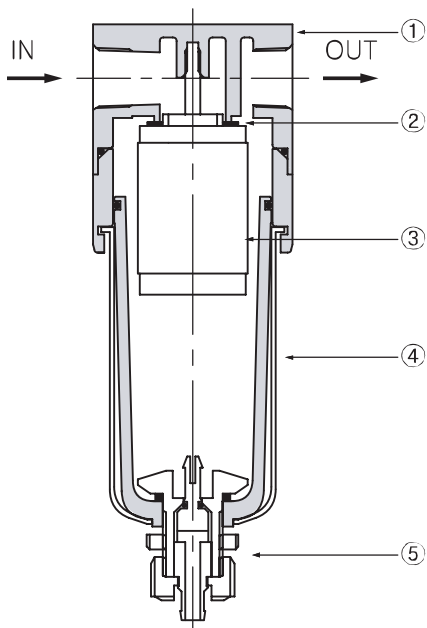
● STRUCTURE / PARTS

**SAFM 2000M**



No.	PARTS	MATERIAL
1	Body	ZnDC
2	Packing	NBR
3	Element	Glass fiber
4	Bowl	PC
5	Drain part	

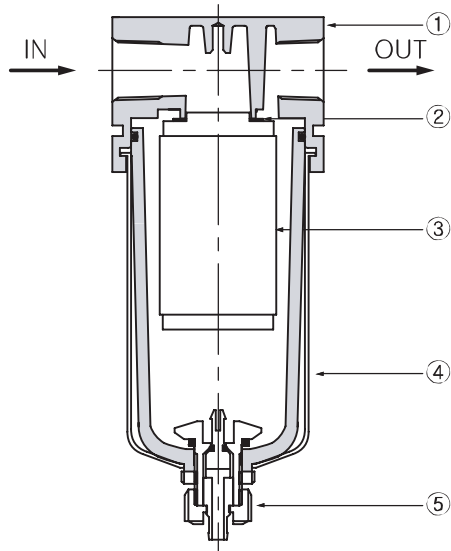
**SAFM 3000M**



No.	PARTS	MATERIAL
1	Body	ALDC
2	Packing	NBR
3	Element	Glass fiber
4	Bowl	PC
5	Drain part	

## ● STRUCTURE / PARTS

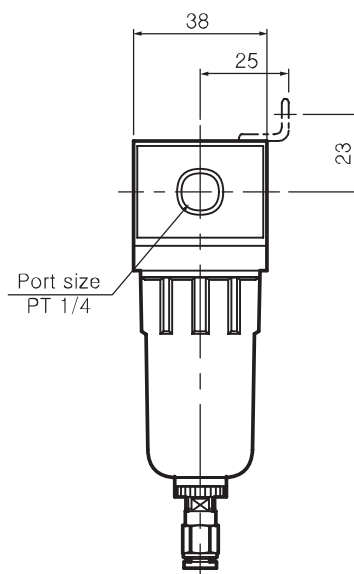
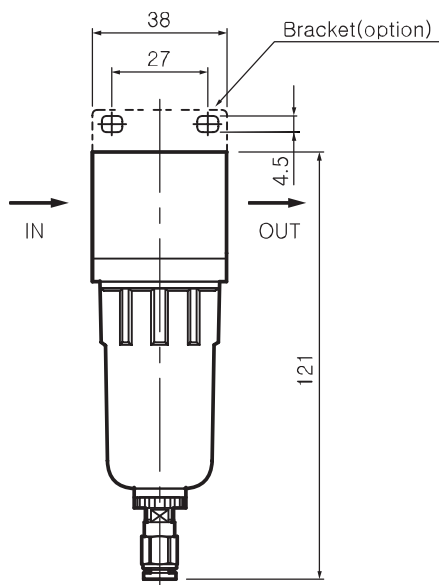
### SAFM 4000M



No.	PARTS	MATERIAL
1	Body	ALDC
2	Packing	NBR
3	Element	Glass fiber
4	Bowl	PC
5	Drain part	

## ● DIMENSIONS(mm)

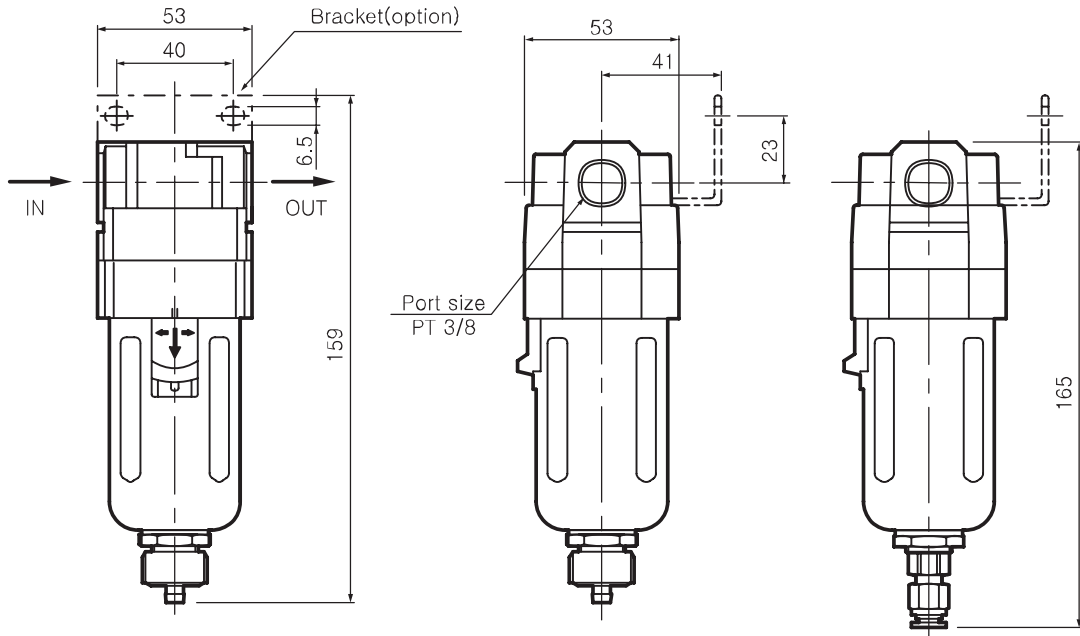
### SAFM 2000M



With differential pressure type auto drain

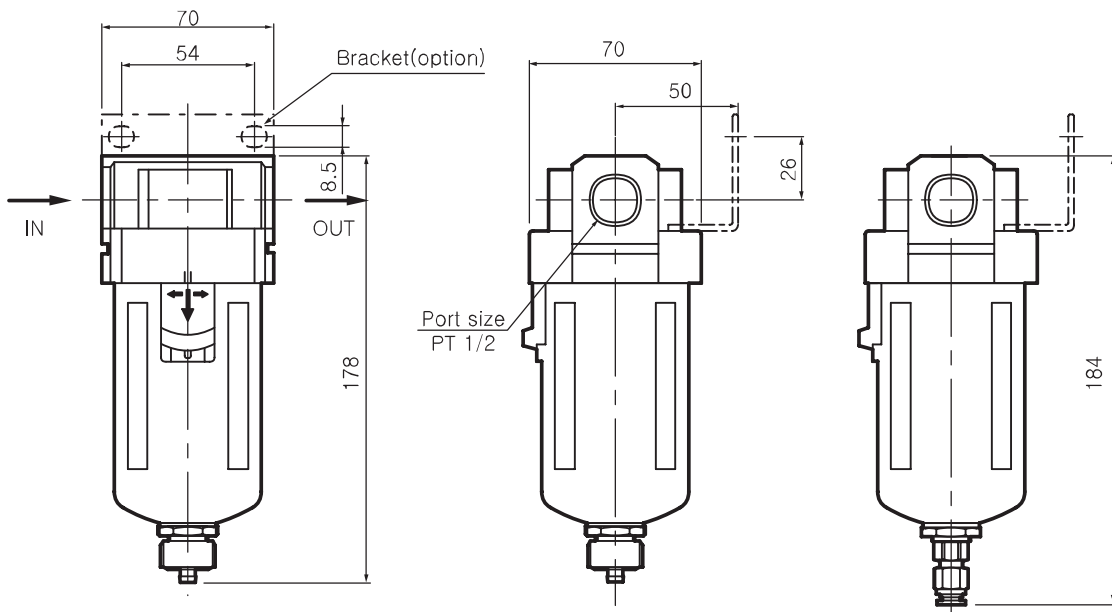
● DIMENSIONS(mm)

**SAFM 3000M**



With float type auto drain

**SAFM 4000M**



With float type auto drain