

# Line Filter(AFL)



SAFL

## ◆ SAFL250~850 Series

· SAFL series installed in the main line improve the function of later drier, prolong the expected life span of precision filter and prevent the troubles of machinery by eliminating the impurities such as moisture, oil, other foreign substances from the compressed air.

### ● How to order

**SAFL 350 - 04 BD - Me**

① Line Filter

② Body Size

250 - 1/4  
 350 - 1/2  
 450 - 3/4  
 550 - 1  
 650 - 1 1/2  
 850 - 2

③ Port Size

02 - Rc(PT) 1/4 ~  
 03 - Rc(PT) 3/8 ~  
 04 - Rc(PT) 1/2 ~  
 06 - Rc(PT) 3/4 ~  
 10 - Rc(PT) 1 ~  
 14 - Rc(PT) 1 1/2 ~  
 20 - Rc(PT) 2 ~

④ Accessory(Optional)

Nil - Manual Drain  
 B - Bracket  
 D - Auto Drain

⑤ Option

Nil - PC Bowl  
 Me - Metal Bowl

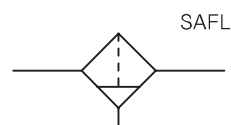


SAFL850

SAFL550

SAFL350

### ● Symbol



### ● Specification

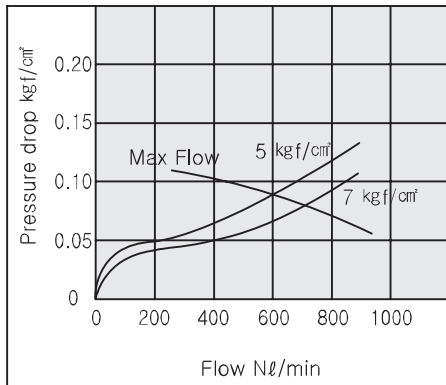
Fluid	Compressed air
Max. operating pressure	1.0MPa [10.2 kgf/cm <sup>2</sup> ]
Min. operating pressure	0.05MPa [0.5 kgf/cm <sup>2</sup> ]
Max. supply pressure	1.5MPa [15.3 kgf/cm <sup>2</sup> ]
Ambient and media temperature	0 ~ 60°C
Filtration	3μm(95% possible filtration particle)
Filter material	Glass fiber
Life of element	When pressure drop reaches at 0.1MPa[1 kgf/cm <sup>2</sup> ]

### ● Precautions

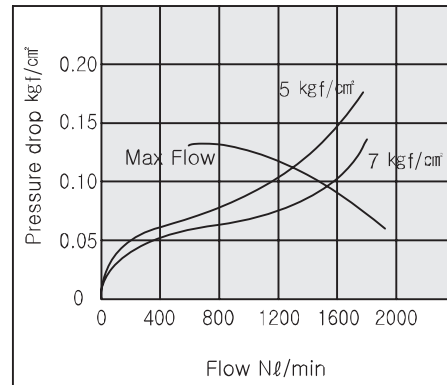
- ① Filter element should be changed after 2 years of using or when pressure drops to 1.0kgf/cm<sup>2</sup>.
- ② When auto drain is used :  
 Drain piping should be both 4mm or greater in diameter and less than 1m in length.  
 Also should avoid setting drain piping upwards.
- ③ When auto drain is out of order, it is possible to drain manually by operating one-touch-fitting vertically.
- ④ With a drain cock attached, drain can be done when the head of liquid is shown at the glass indication tube.

● FLOW CHARACTERISTICS

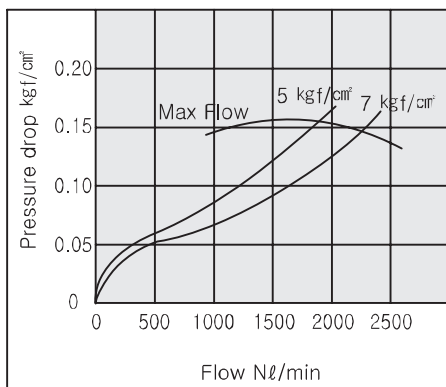
**SAFL 250**



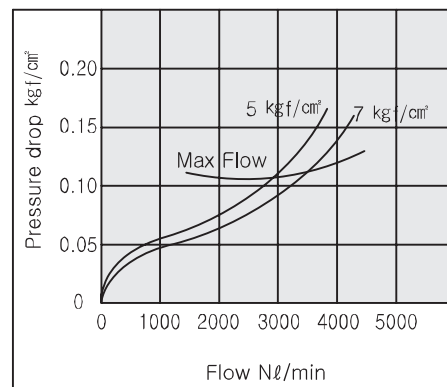
**SAFL 350**



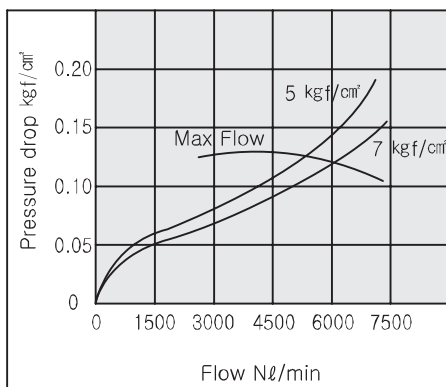
**SAFL 450**



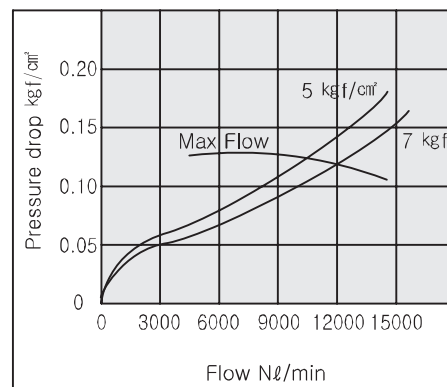
**SAFL 550**



**SAFL 650**

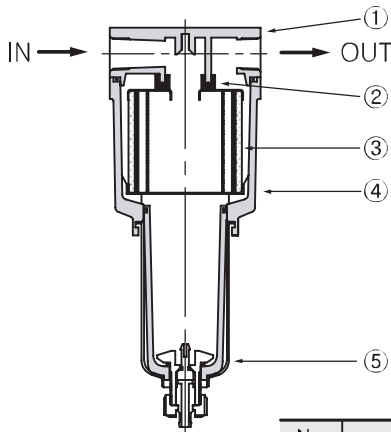


**SAFL 850**

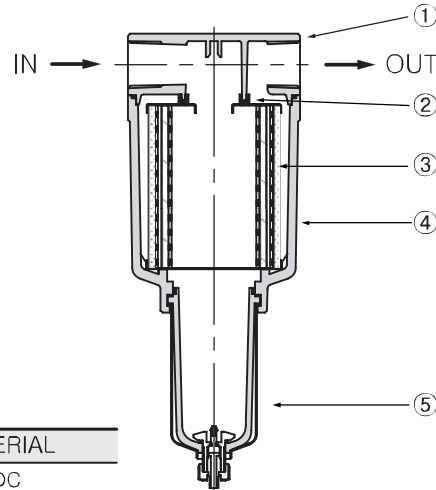


● STRUCTURE / PARTS

**SAFL 250**

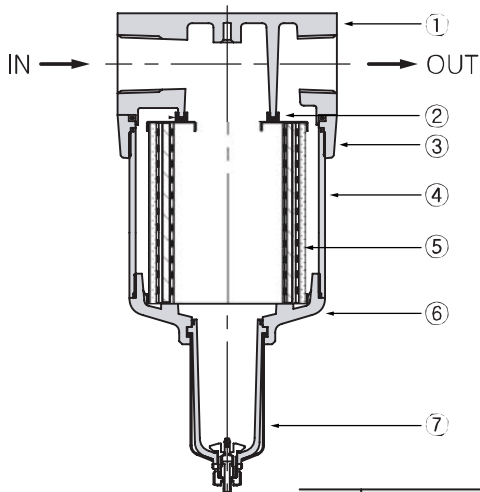


**SAFL 350 · 450 · 550**

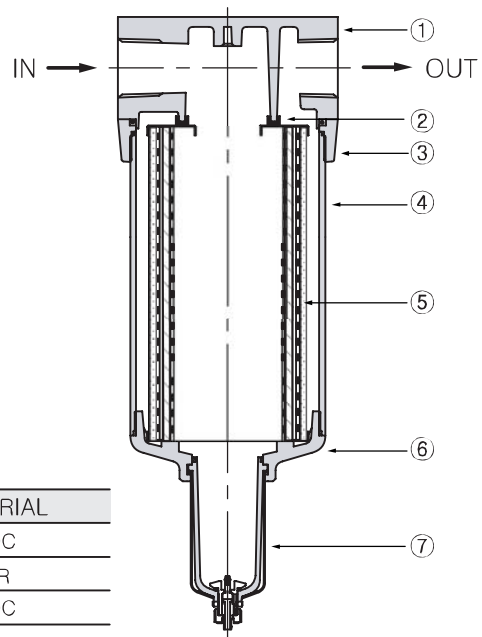


No.	PARTS	MATERIAL
1	Body	ALDC
2	Packing	NBR
3	Element	Glass fiber
4	Cover	ALDC
5	Bowl	PC

**SAFL 650**



**SAFL 850**

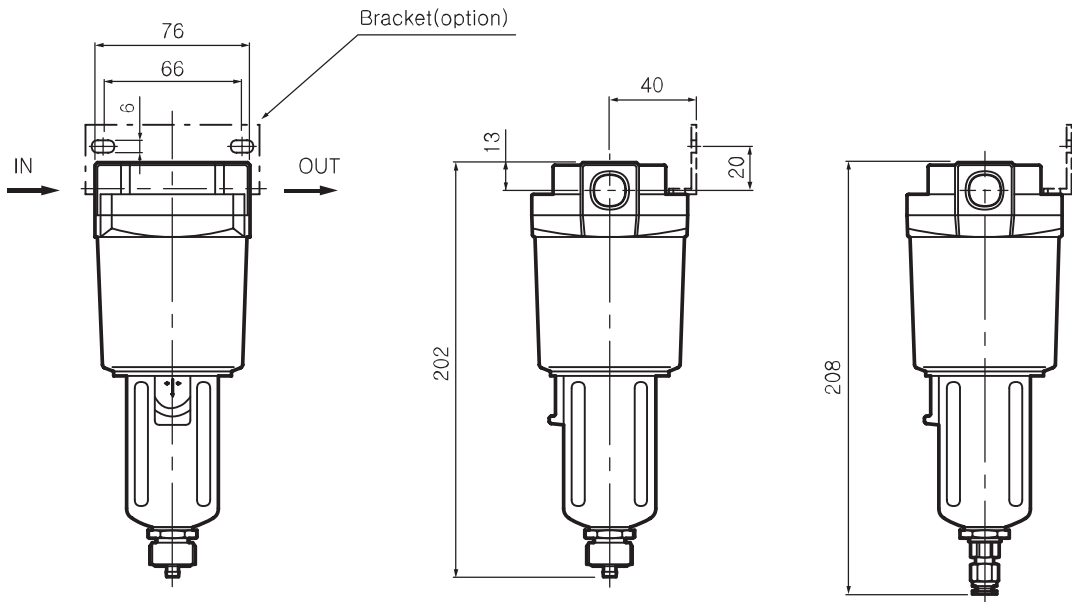


No.	PARTS	MATERIAL
1	Body	ALDC
2	Packing	NBR
3	U-Cover	ALDC
4	Pipe	AL
5	Element	Glass fiber
6	L-Cover	ALDC
7	Bowl	PC

SAFL

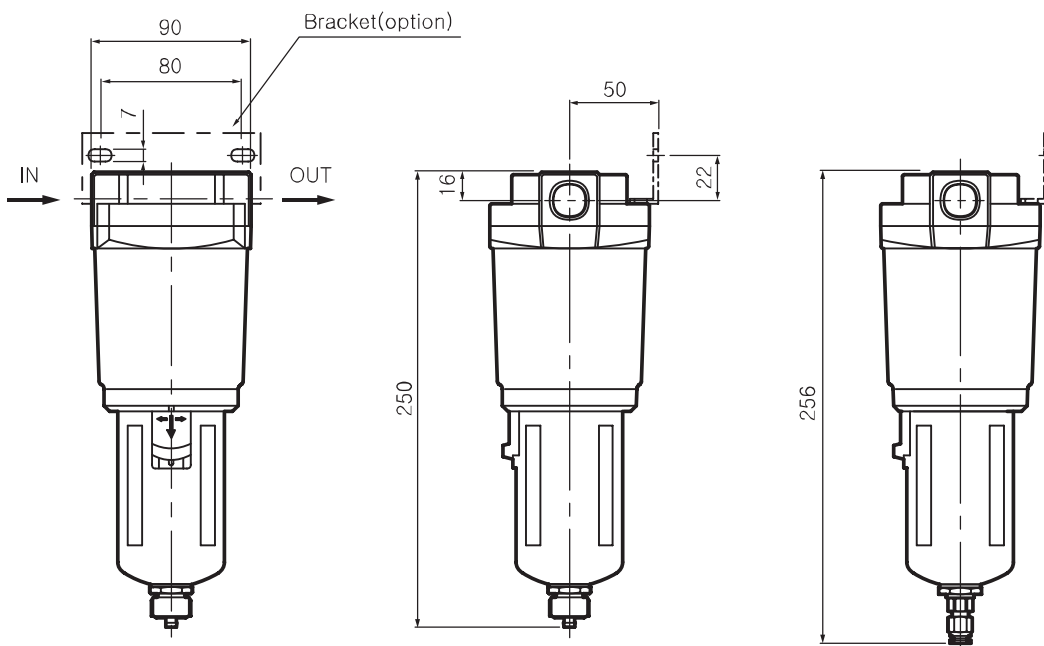
## ● DIMENSIONS(mm)

### SAFL 250



With float type auto drain

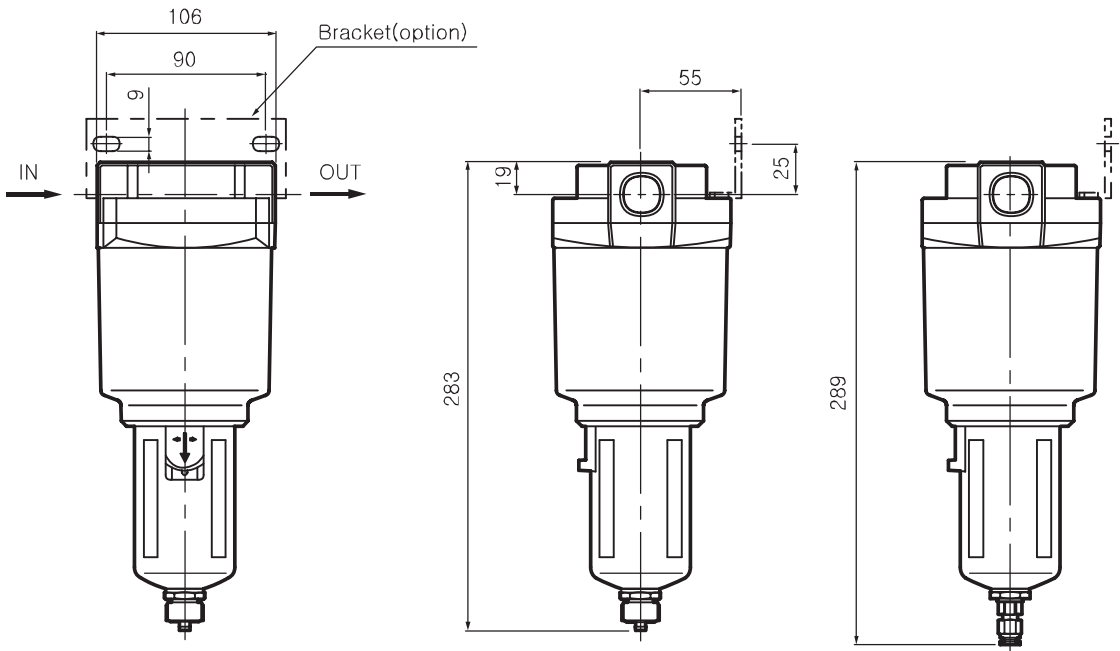
### SAFL 350



With float type auto drain

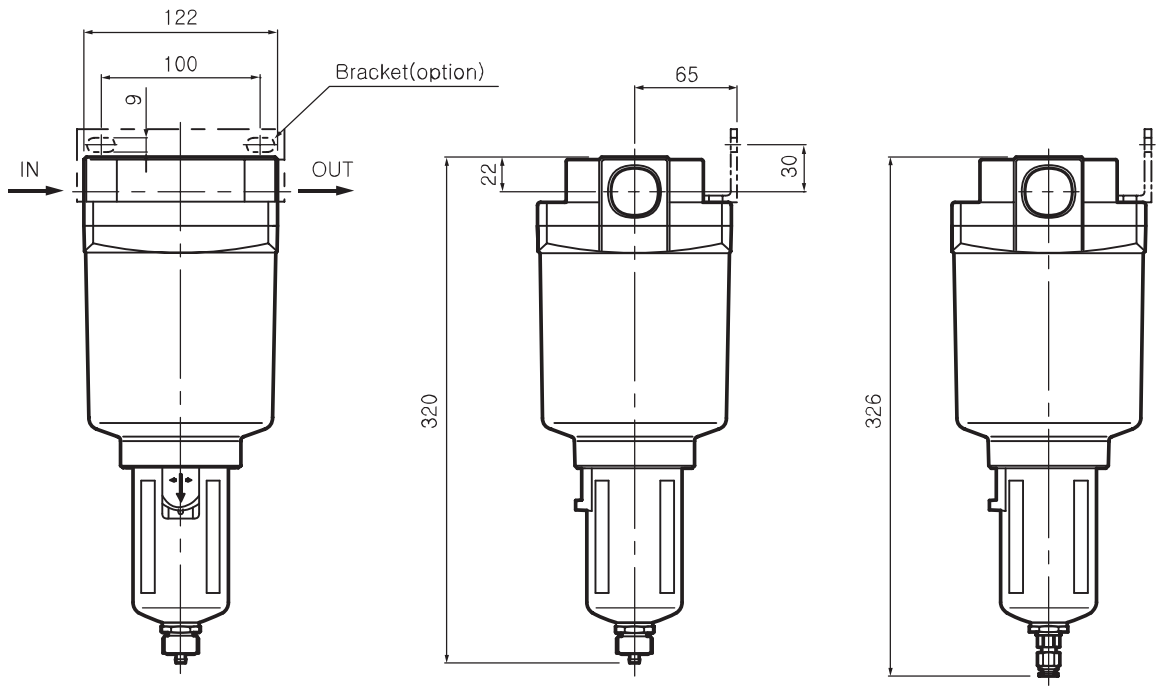
● DIMENSIONS(mm)

**SAFL 450**



With float type auto drain

**SAFL 550**



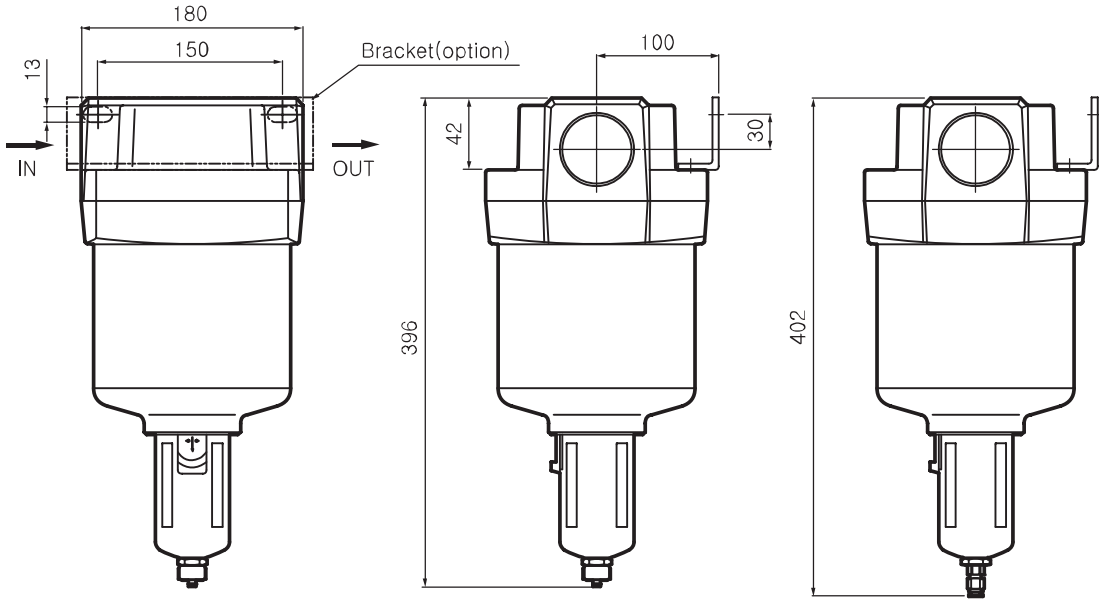
With float type auto drain

# SAFL Series



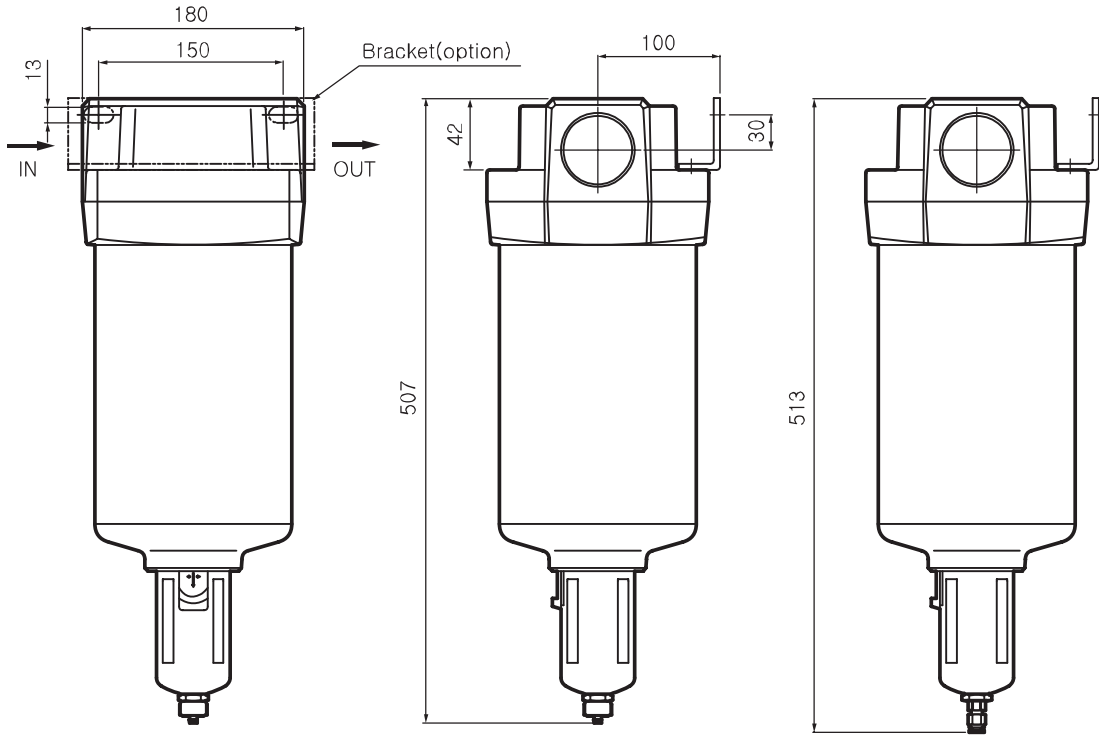
## DIMENSIONS(mm)

### SAFL 650



With float type auto drain

### SAFL 850

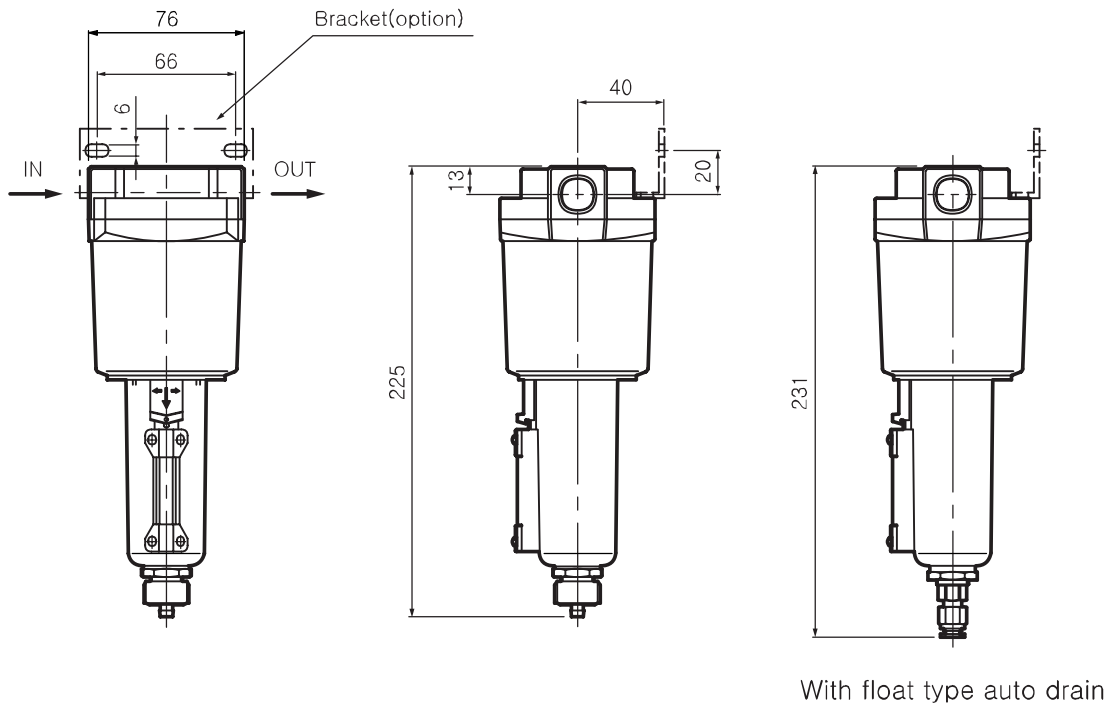


With float type auto drain

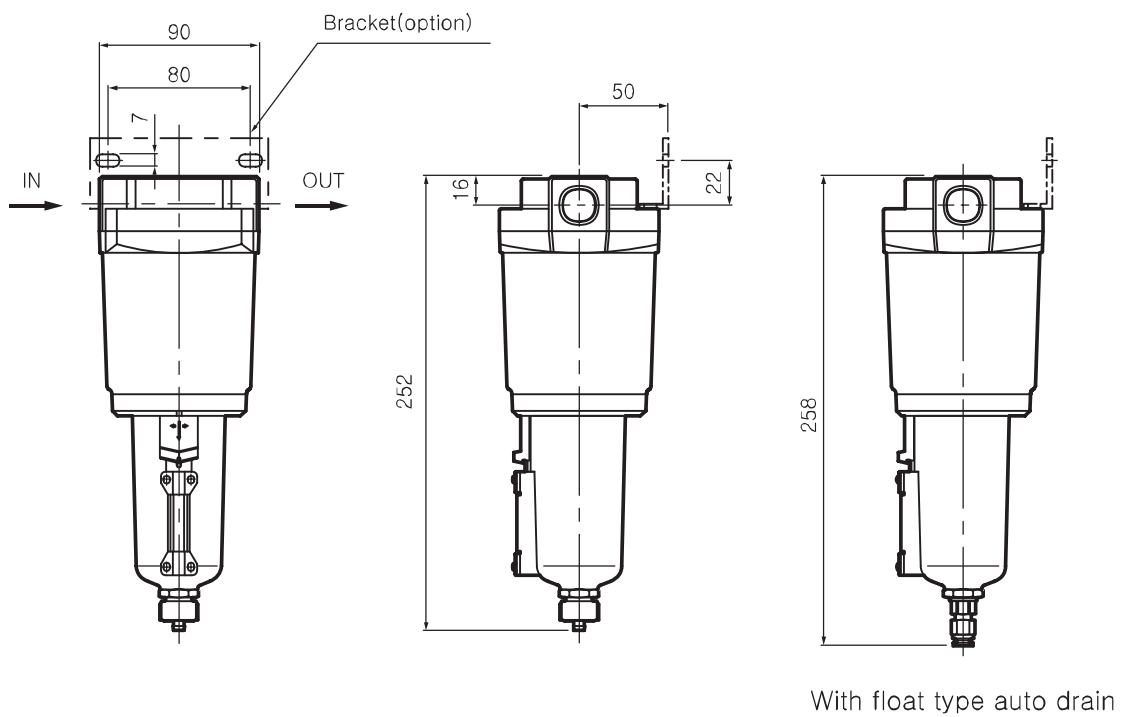
SAFL

## ● DIMENSIONS(mm) – Metal Bowl

### SAFL 250-Me

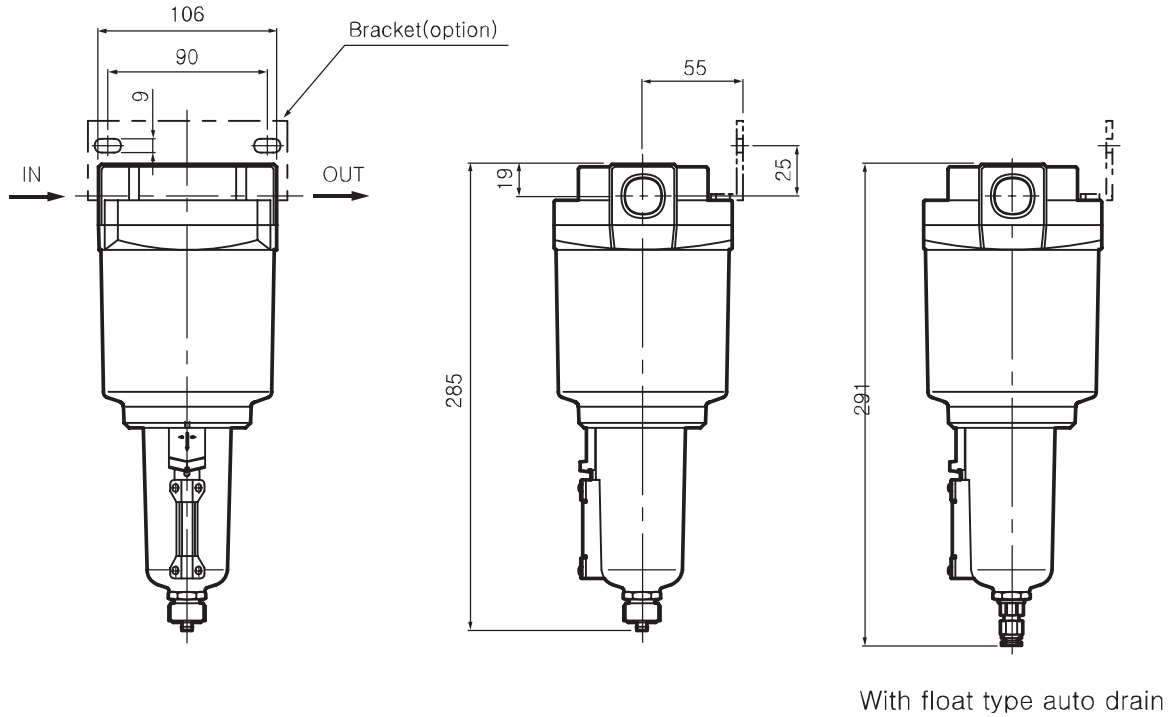


### SAFL 350-Me

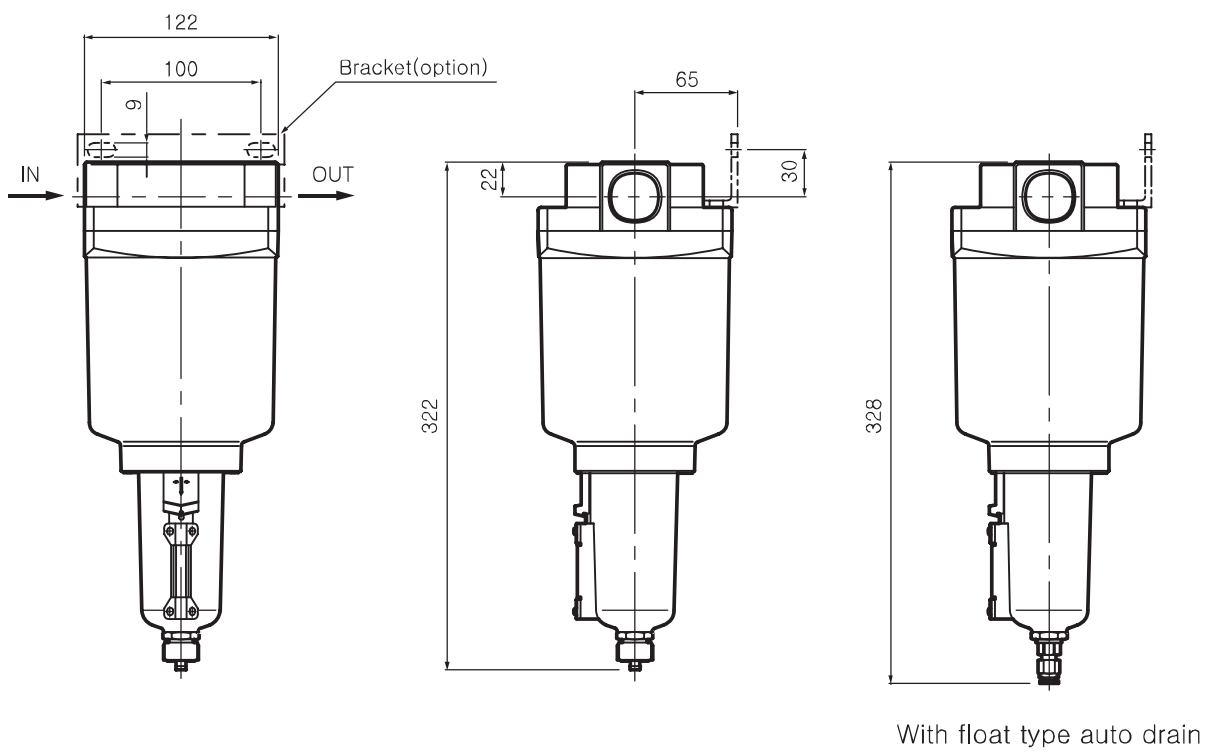


## ● DIMENSIONS(mm) – Metal Bowl

### SAFL 450-Me



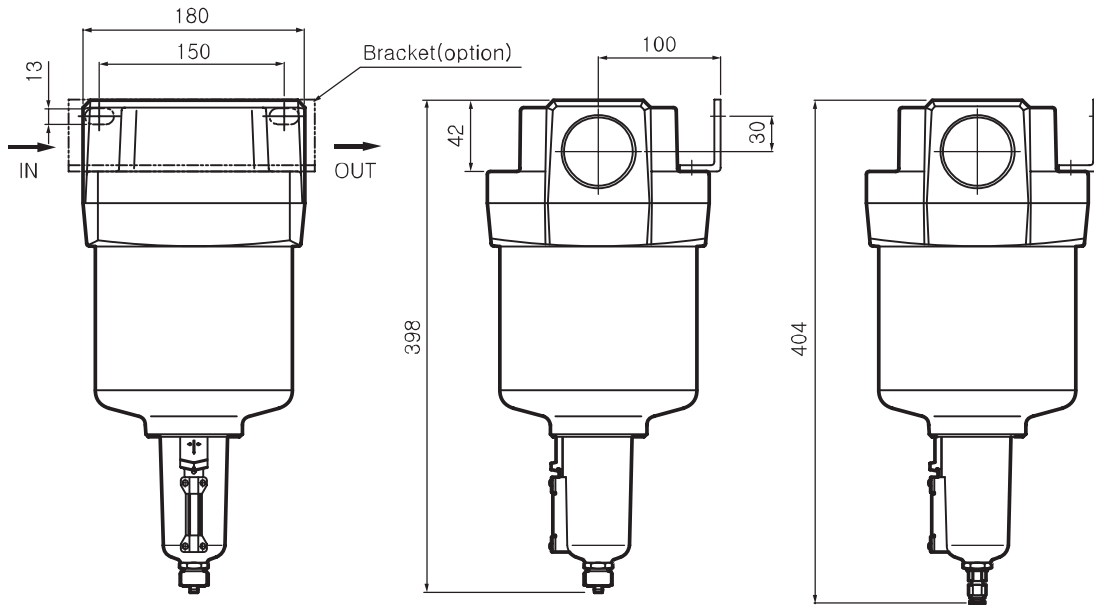
### SAFL 550-Me





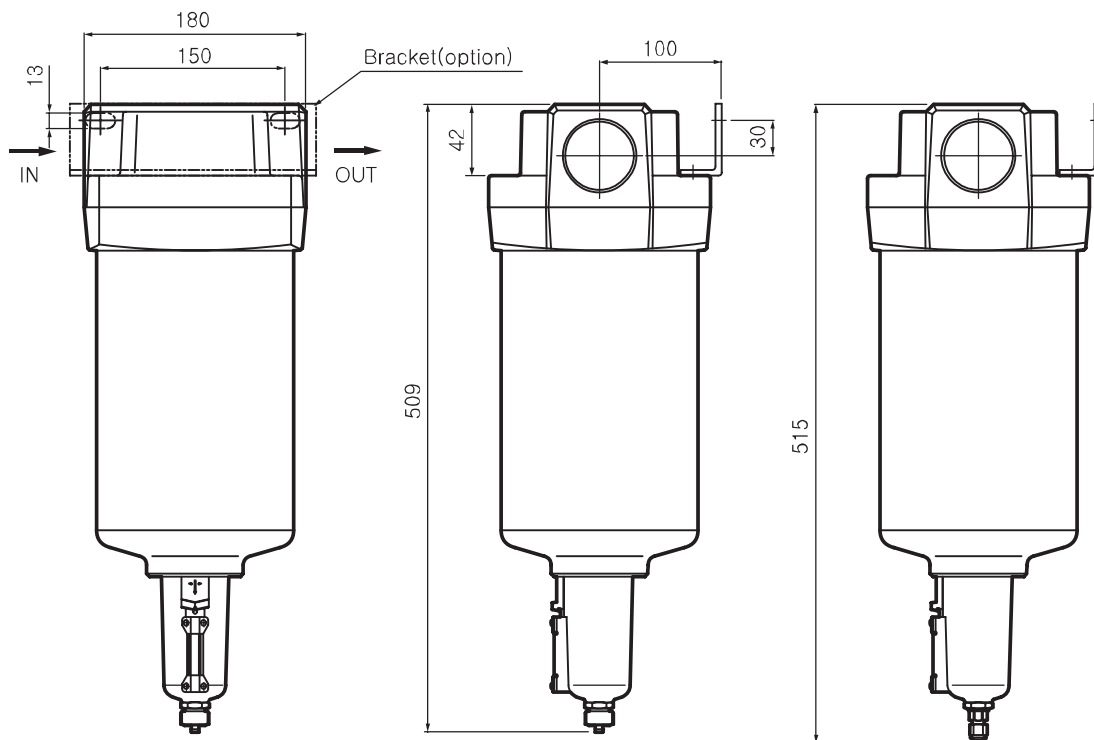
## ● DIMENSIONS(mm) – Metal Bowl

### SAFL 650-Me



With float type auto drain

### SAFL 850-Me



With float type auto drain