

Modular type Micro mist separator(AFD)



◆ SAFD2000M~4000M Series



SAFD4000M

SAFD3000M

SAFD2000M

● How to order

SAFD 30 00M-03 BD-Me

1 Modular type
Micro mist separator

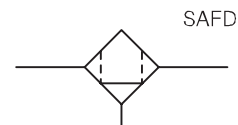
2 Body Size
20 - 1/4
30 - 3/8
40 - 1/2

3 Port Size
02 - Rc(PT) 1/4"
03 - Rc(PT) 3/8"
04 - Rc(PT) 1/2"

4 Accessory(Optional)
Nil - Manual Drain
B - Bracket
D - Auto Drain

5 Option
Nil - PC Bowl
Me - Metal Bowl

● Symbol



● Specification

Max. supply pressure	1.5MPa [15.3 kgf/cm ²]
Max. operating pressure	1.0MPa [10.2 kgf/cm ²]
Min. operating pressure	0.05MPa [0.5 kgf/cm ²]
Ambient and media temperature	5 ~ 60 C
Filtration	0.01μm
Bowl material	Poly-carbonate · Metal

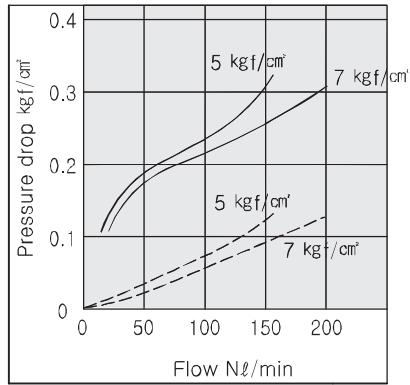
● Precautions

- ① Poly-carbonate bowls may be damaged and highly possible to fail if exposed to synthetic oils, thinner solvents, trichloroethylene, kerosene, chloroform, cyclohexane or other aromatic hydrocarbons and such environment exposed chemicals such as above.
- ② When auto drain is used :
Drain piping should be both 4mm or greater in diameter and less than 1m in length.
Also should avoid setting drain piping upwards.
- ③ When auto drain is out of order, it is possible to drain manually by operating one-touch-fitting vertically.
- ④ With a drain cock attached, drain can be done when the head of liquid is shown at the glass indication tube.

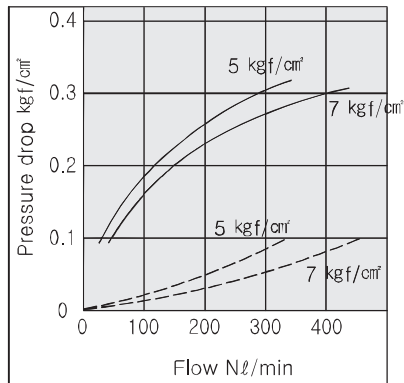
SAFD

● FLOW CHARACTERISTICS

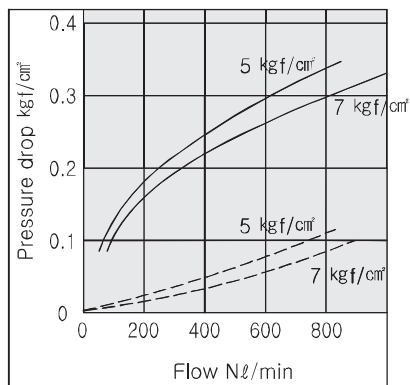
SAFD 2000M



SAFD 3000M

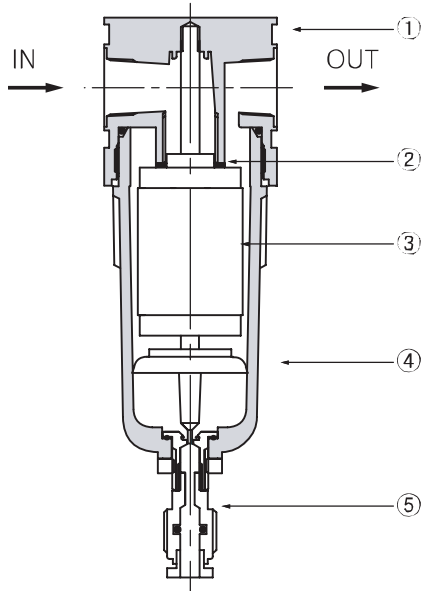


SAFD 4000M



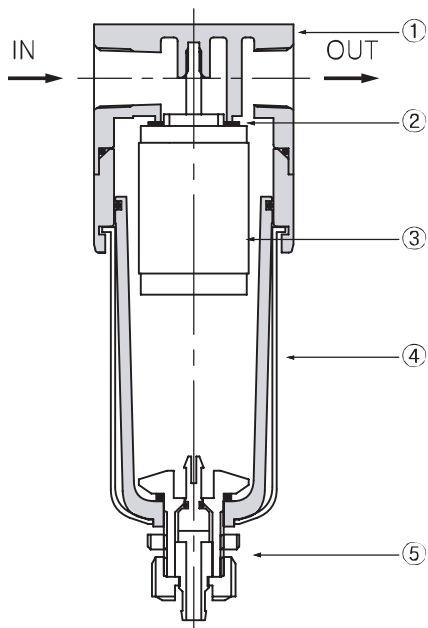
● STRUCTURE / PARTS

SAFD 2000M



No.	PARTS	MATERIAL
1	Body	ZnDC
2	Packing	NBR
3	Element	Glass fiber
4	Bowl	PC
5	Drain part	

SAFD 3000M

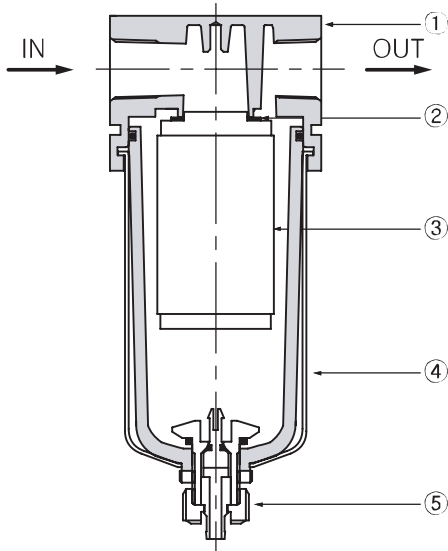


No.	PARTS	MATERIAL
1	Body	ALDC
2	Packing	NBR
3	Element	Glass fiber
4	Bowl	PC
5	Drain part	

SAFD

● STRUCTURE / PARTS

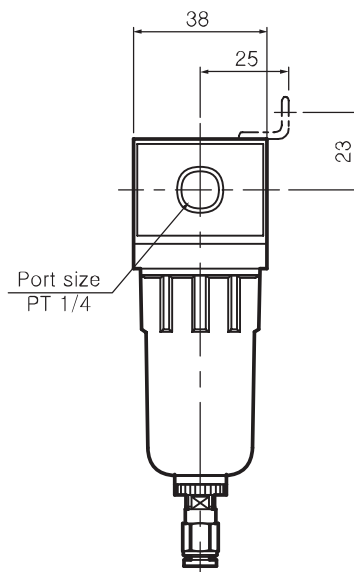
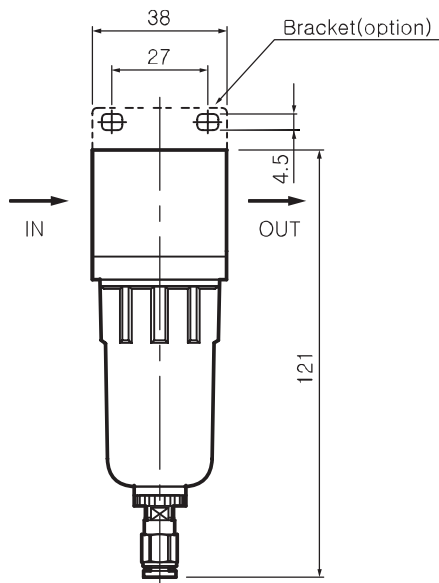
SAFD 4000M



No.	PARTS	MATERIAL
1	Body	ALDC
2	Packing	NBR
3	Element	Glass fiber
4	Bowl	PC
5	Drain part	

● DIMENSIONS(mm)

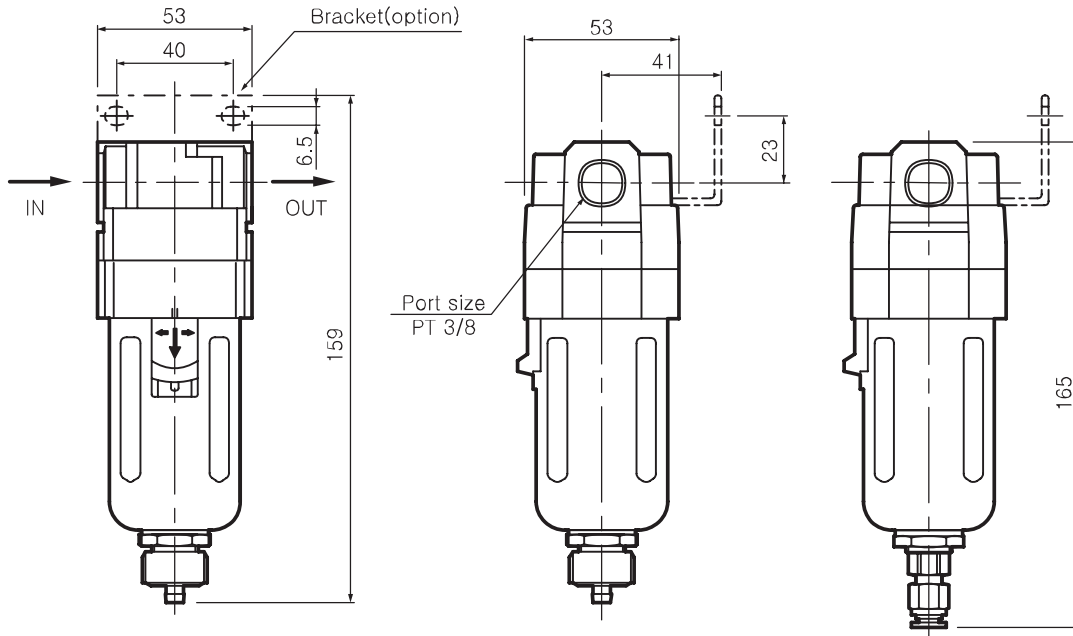
SAFD 2000M



With differential pressure type auto drain

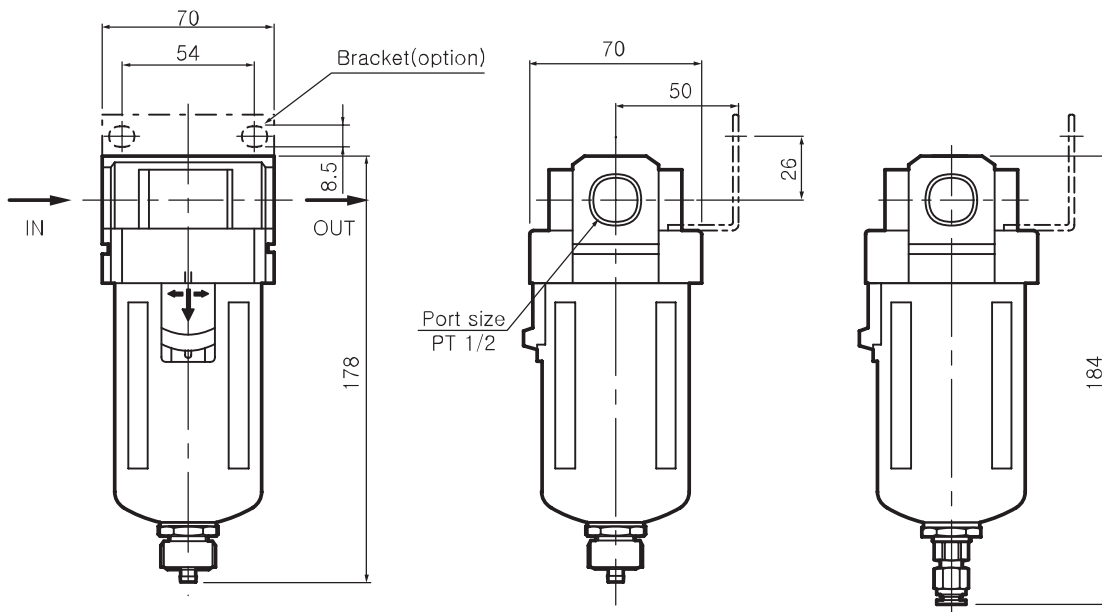
● DIMENSIONS(mm)

SAFD 3000M



With float type auto drain

SAFD 4000M

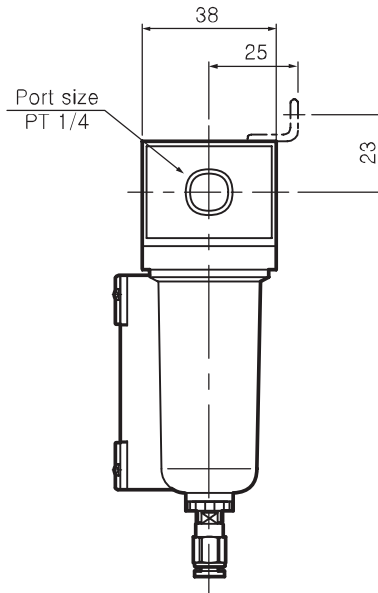
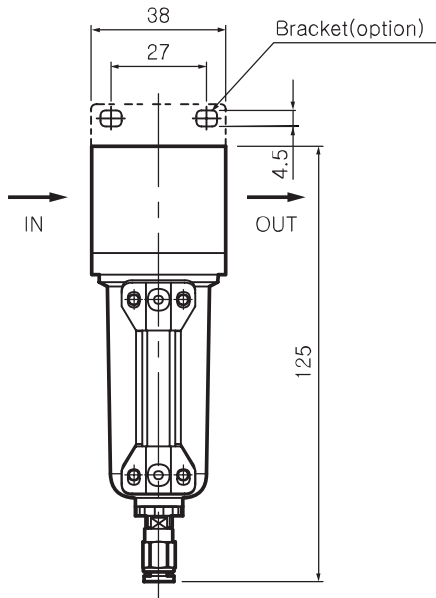


With float type auto drain

SAFD

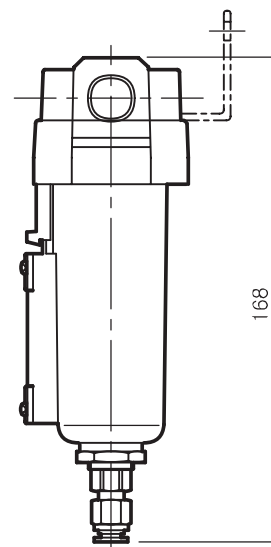
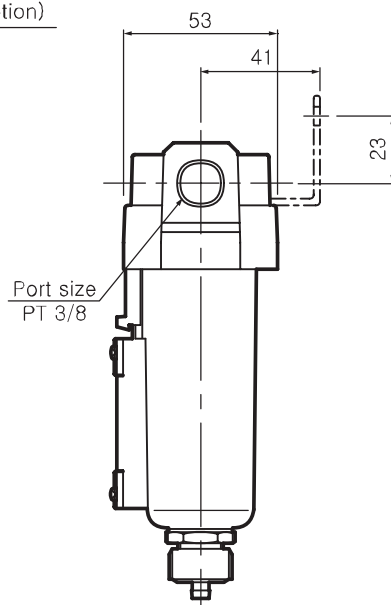
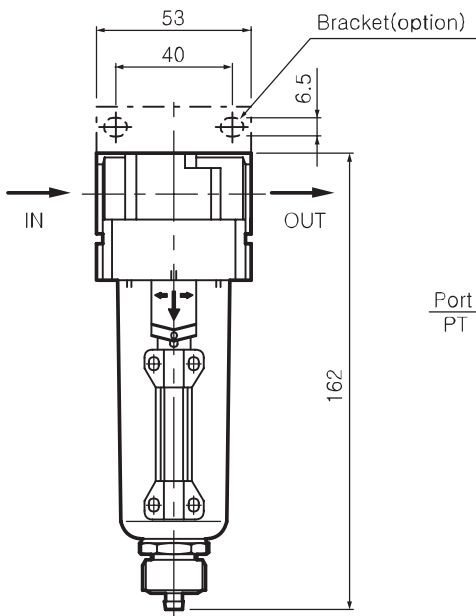
● DIMENSIONS(mm) – Metal Bowl

SAFD 2000M-Me



With differential pressure type auto drain

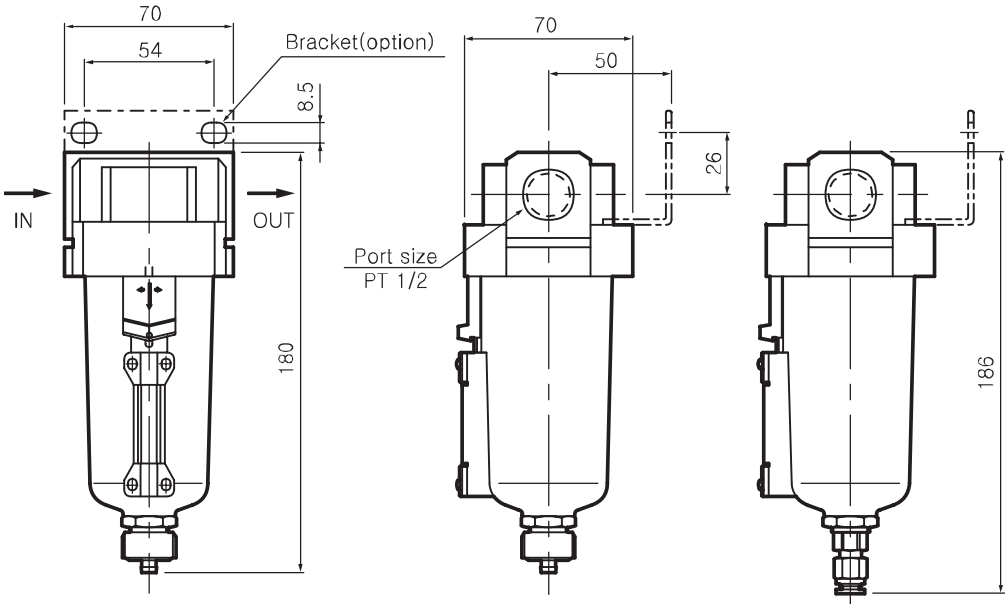
SAFD 3000M-Me



With float type auto drain

● DIMENSIONS(mm) – Metal Bowl

SAFD 4000M-Me



With float type auto drain

SAFD