

FILLED BOURDON TUBE PRESSURE GAUGES



APPLICATIONS

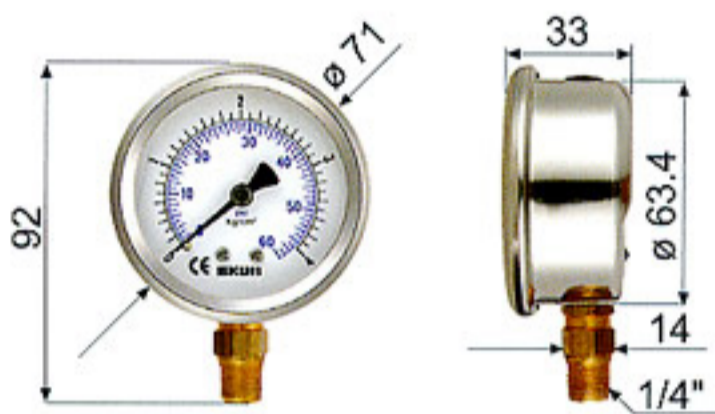
For gases, pressurized gases (oxygen, air ect.) and low viscosity liquids up to 60 degrees celcius, with liquid filling for measurement points subject to vibrations and high dynamic pressure loads, no formation of condensation.

SPECIFICATIONS

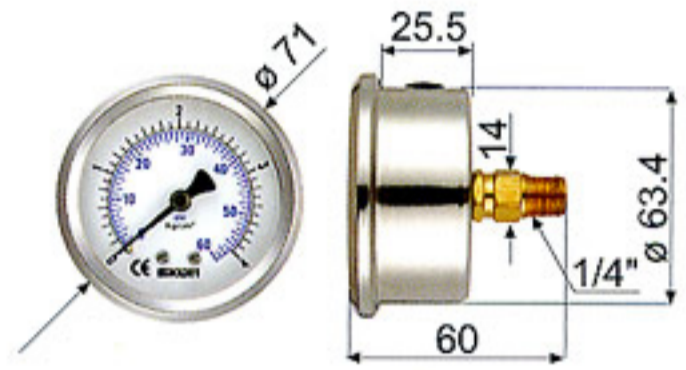
CONTENTS

DIMENSIONS	63mm
ACCURACY	Class $\pm 1.5\%$
PRESSURE RANGES	-1/0 to -1/+20 kg/cm ² (bar) 0/1 to 0/1000 kg/cm ² (bar)
TEMPERATURE	Working temperature 60°C max. Ambient temperature around: -25°C~60°C Brass Alloy, LM or LBM/CBM
CONNECTIONS	Size : 14mm 1/4", PT, NPT, PF, BSP
SENSING ELEMENT	Bourdon Tube, brass alloy < 70 kg/cm ² (bar) Coil ≥ 70 kg/cm ² (bar) Helicoil
MOVEMENT	Brass alloy
DIAL	White aluminium, black lettering
POINTER	Black aluminium
CASE	AISI 304
UPPER RING	AISI 304
FILLING	Glycerine (99.5%) Normal glass
WINDOW	Laminated safety glass Acrylic
ORDER OPTIONS	1. Filling fluid optional 2. Flange 3. Red mark pointer 4. Clamp fixations

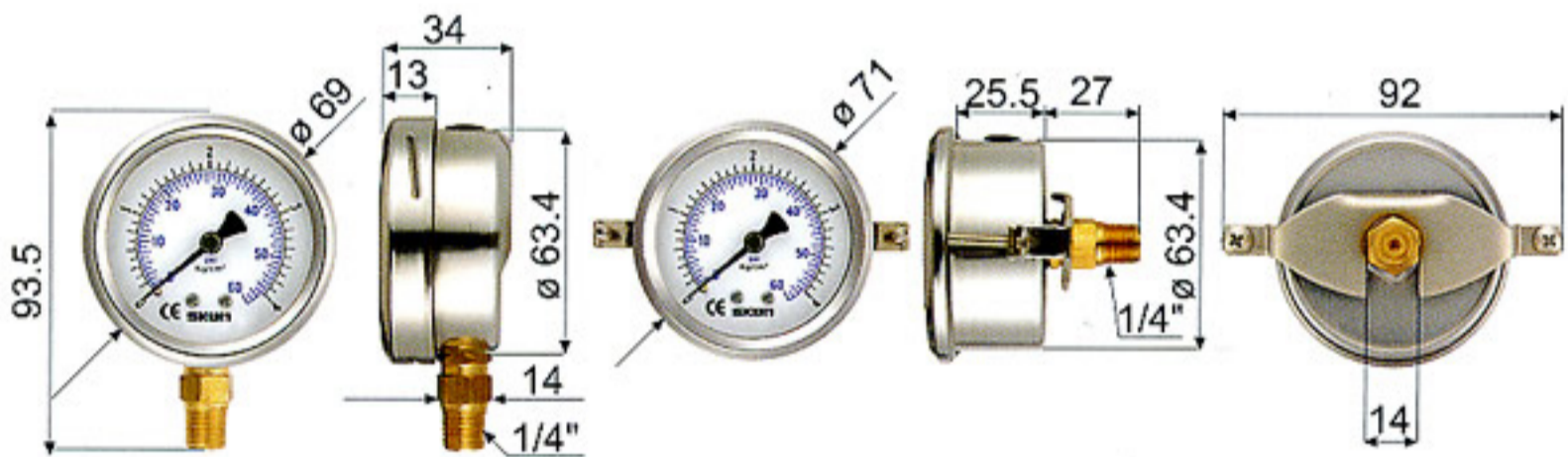
FILLED BOURDON TUBE PRESSURE GAUGES



321.21

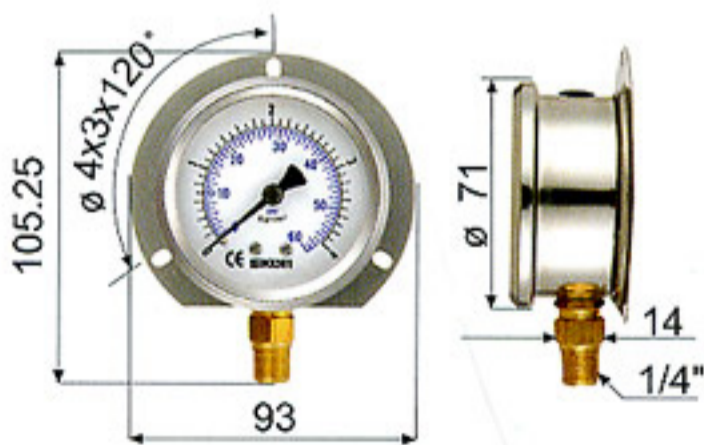


324.21

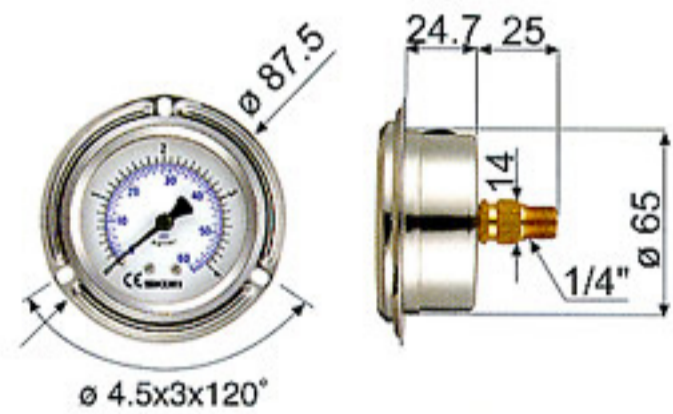


331.21

328.21



322.21



326.21

FILLED BOURDON TUBE PRESSURE GAUGES



APPLICATIONS

For gases, pressurized gases (oxygen, air ect.) and low viscosity liquids up to 60 degrees celcius, with liquid filling for measurement points subject to vibrations and high dynamic pressure loads, no formation of condensation.

SPECIFICATIONS

CONTENTS

DIMENSIONS	100mm
ACCURACY	Class $\pm 1.0\%$
PRESSURE RANGES	-1/0 to -1/+20 kg/cm ² (bar) 0/1 to 0/1000 kg/cm ² (bar)
TEMPERATURE	Working temperature 60°C max. Ambient temperature around: -25°C~60°C
CONNECTIONS	Brass Alloy, LM or LBM/CBM Size: 22mm 3/8", PT, NPT, PF, BSP 1/2", PT, NPT, PF, BSP
SENSING ELEMENT	Bourdon tube, brass alloy <70 kg/cm ² (bar) Coil ≥ 70 kg/cm ² (bar) Helicoil
MOVEMENT	Brass alloy
DIAL	White aluminium, black lettering
POINTER	Black aluminium
CASE	AISI 304
UPPER RING	AISI 304
FILLING	Glycerine (99.5%) Normal glass
WINDOW	Acrylic Laminated safety glass
ORDER OPTIONS	1.Silicone filling 2.Flange 3.Red mark pointer 4.U-shape clamp

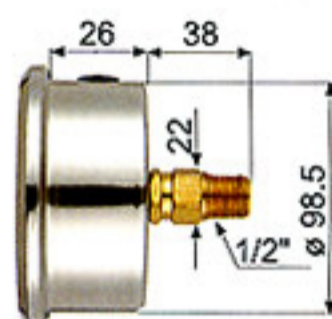
FILLED BOURDON TUBE PRESSURE GAUGES



421.21



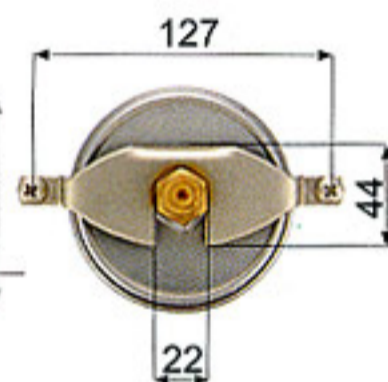
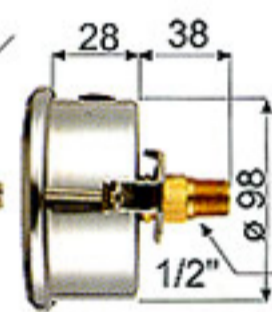
424.21



431.21



428.21



422.21



426.21



ALL STAINLESS STEEL FILLED PRESSURE GAUGES



APPLICATIONS

For corrosive atmospheres and fluids, resistant to high dynamic pressure loads and vibrations.

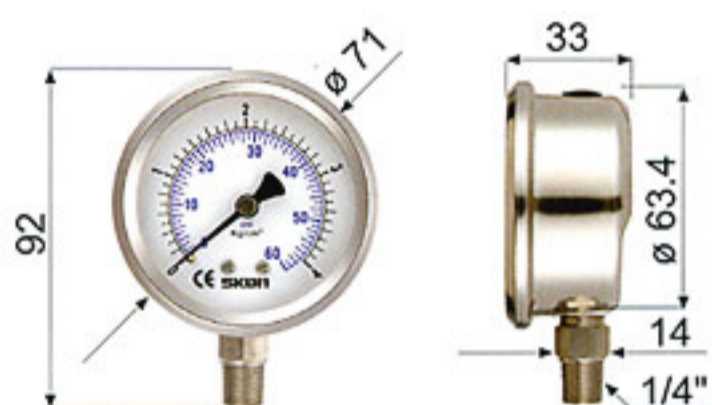
Well suited for the process industry applications including: Petrochemical, Chemical plants, and energy etc.

SPECIFICATIONS

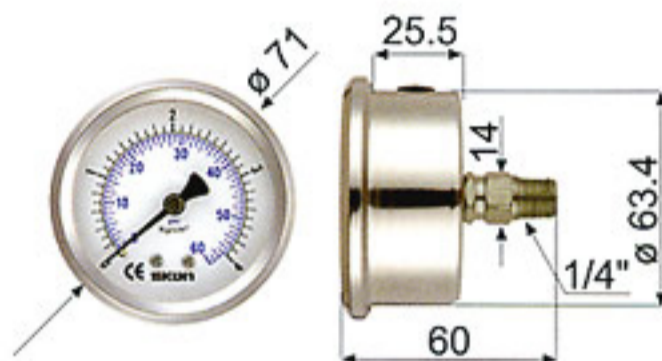
CONTENTS

DIMENSIONS	63mm
ACCURACY	Class $\pm 1.5\%$
PRESSURE RANGES	-1/0 to -1/+20 kg/cm ² (bar) 0/1 to 0/1000 kg/cm ² (bar)
TEMPERATURE	Working temperature 100°C max. Ambient temperature around: -25°C~60°C
CONNECTIONS	AISI 316, LM or LBM/CBM Size:14mm 1/4", PT, NPT, PF, BSP
SENSING ELEMENT	Bourdon tube, AISI 316 DIN 50049 (AISI 316 Ti) <70 kg/cm ² (bar) Coil ≥ 70 kg/cm ² (bar) Helicoil
MOVEMENT	AISI 316
DIAL	White aluminium, black lettering
POINTER	Black aluminium
CASE	AISI 304
UPPER RING	AISI 304
FILLING	Glycerine (99.5%)
WINDOW	Normal glass, Laminated safety glass Acrylic
ORDER OPTIONS	Filling fluids optional Flange Red mark pointer U-shape clamp

ALL STAINLESS STEEL FILLED PRESSURE GAUGES



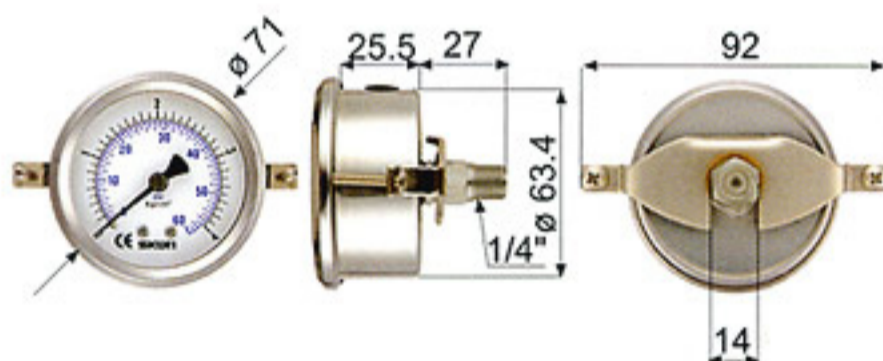
321.23



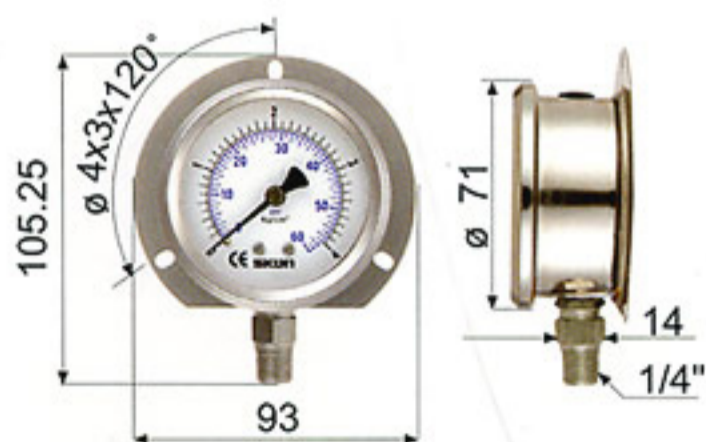
324.23



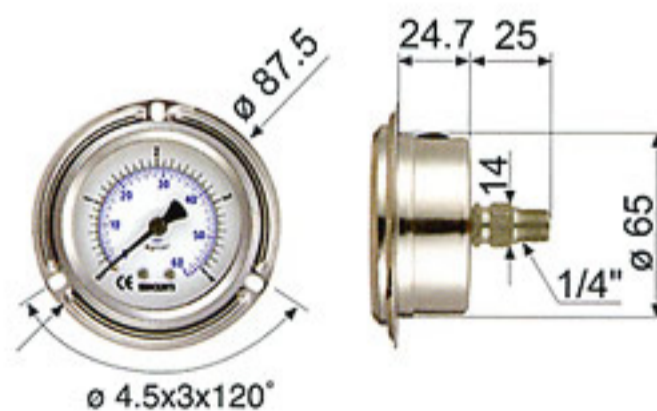
331.23



328.23



322.23



326.23

ALL STAINLESS STEEL FILLED PRESSURE GAUGES



APPLICATIONS

For corrosive atmospheres and fluids, resistant to high dynamic pressure loads and vibrations.

Well suited for the process industry applications including: Petrochemical, Chemical plants, and energy etc.

SPECIFICATIONS

CONTENTS

DIMENSIONS	100mm
ACCURACY	Class $\pm 1.0\%$
PRESSURE RANGES	-1/0 to -1/+20 kg/cm ² (bar) 0/1 to 0/1500 kg/cm ² (bar)
TEMPERATURE	Working temperature 100°C max. Ambient temperature around: -20°C~60°C
CONNECTIONS	AISI 316, LM or LBM/CBM Size : 22mm 3/8", PT, NPT, PF, BSP 1/2", PT, NPT, PF, BSP
SENSING ELEMENT	Bourdon Tube, AISI 316 DIN 50049 (AISI 316 Ti) < 70 kg/cm ² (bar) Coil ≥ 70 kg/cm ² (bar) Helicoil
MOVEMENT	AISI 316
DIAL	White aluminium, black lettering
POINTER	Black aluminium
CASE	AISI 304
UPPER RING	AISI 304
FILLING	Glycerine (99.5%) Normal glass.
WINDOW	Laminated safety glass Acrylic
ORDER OPTIONS	Filling fluids optional Flange Red mark pointer U-shape clamp

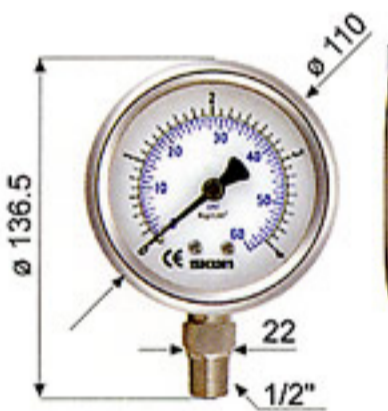
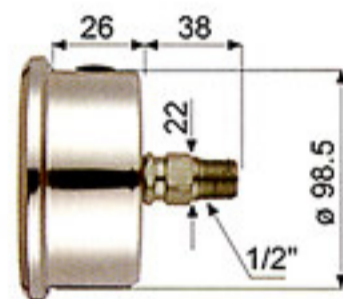
ALL STAINLESS STEEL FILLED PRESSURE GAUGES



421.23



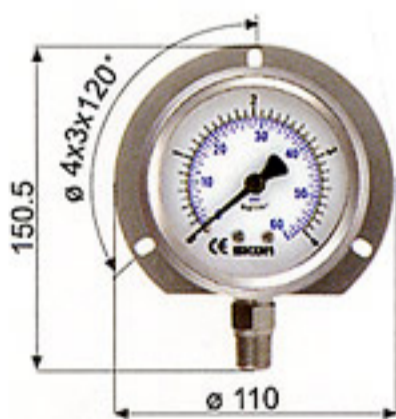
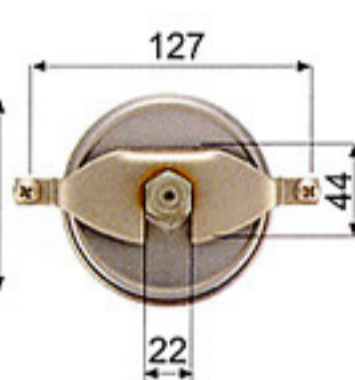
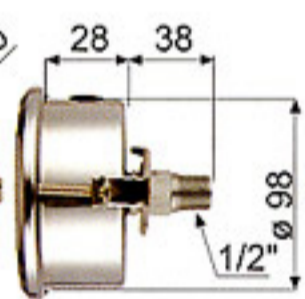
424.23



431.23



428.23



422.23



426.23

