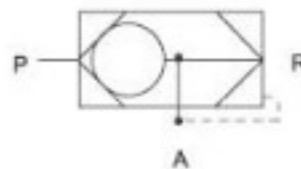




BQE-04

Quick exhaust valve BQE series

Symbol:



How to order

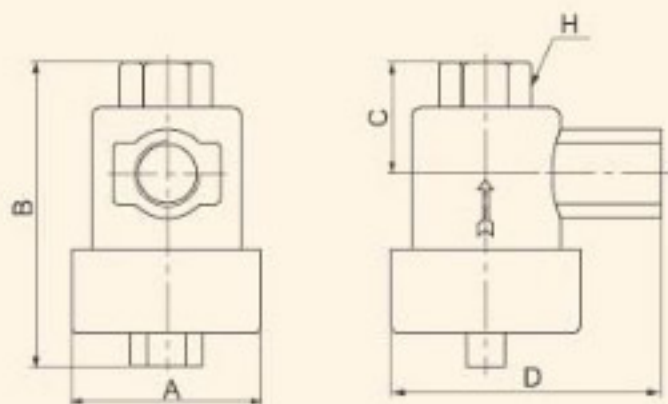
BQE - 02

Series code	Port size
	02: 1/4"
	03: 3/8"
	04: 1/2"

Specification

Model	BQE-02	BQE-03	BQE-04
Fluid	Air (filtered through 40 μ filter element)		
Port size	1/4"	3/8"	1/2"
Proof pressure	0~10kgf/cm ²		
Ambient & fluid temperature	0~70°C		
Weight (kg)			
Main parts material	Body	Aluminum alloy	
	Seal	NBR	

Dimension



Model	A	B	C	D	H
BQE-02	33	54	21	41	19
BQE-03	38	60	24	41	22
BQE-04	43	67	40	51.2	24

