



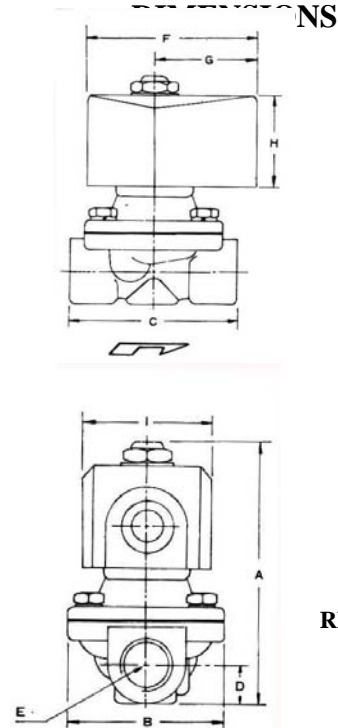
AERO-NCD

2 WAY, SUS316 SOLENOID VALVES

Normally Closed Solenoid Valve Pipe Size : 1/2" to 2" SCREWED END.

For Fluid : Water , Air , Oil

MODEL : AD12-10S ~ 50S



UNIT : mm

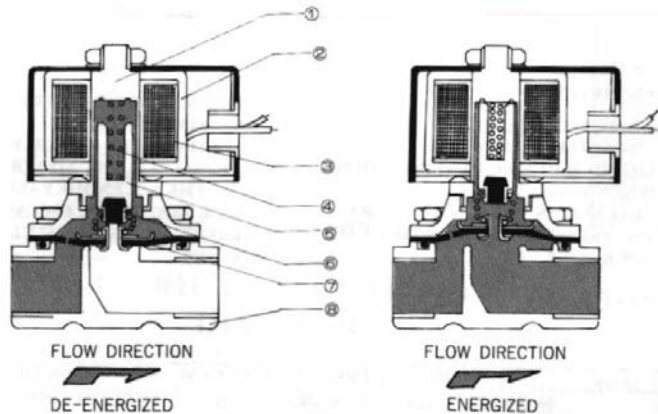
MODEL	A	B	C	D	E	F	G	H	I
AD12-15S	105	58	71	14	1/2"	71	43	39	47
AD12-20S	110	58	71	17	3/4"	71	43	39	47
AD12-25S	127	78	100	22	1"	72	43	44	48
AD12-35S	140	91	122	34	1-1/4"	71	43	39	47
AD12-40S	140	91	122	34	1-1/2"	71	43	39	47
AD12-50S	190	108	150	42	2"	84	47	60	64

SPECIFICATION

MODEL	TEMP()	WORKING PRESS.		
		WATER	AIR	LIGHT OIL
AD12-15S	-50 ~ 80	0 ~ 7	0 ~ 5	0 ~ 5
AD12-20S	-50 ~ 80	0 ~ 7	0 ~ 5	0 ~ 5
AD12-25S	-50 ~ 80	0 ~ 7	0 ~ 5	0 ~ 5
AD12-35S	-50 ~ 80	0 ~ 7	0 ~ 5	0 ~ 5
AD12-40S	-50 ~ 80	0 ~ 7	0 ~ 5	0 ~ 5
AD12-50S	-50 ~ 80	0 ~ 7	0 ~ 5	0 ~ 5

REMARKS : NORMALLY USED IN WATER FLUID FOR AIR THE LIFE WILL BE SHORTER THAN WATER.

PIPE INTERNAL STRUCTURE



MATERIAL OF MAJOR PARTS

ITEMS	PART NAME	MATERIAL
1	CORE & CORE TUBE	STAINLESS STEEL
2	SI-COVER	SI-STEEL
3	COIL	LEAD WIRE , DIN TYPE
4	SPRING	STAINLESS STEEL
5	PLUNGER	STAINLESS STEEL
6	SEAT	VITON , NBR , EPDM
7	DIAPHRAGM	NBR , SILICON , EPDM
8	BODY	SUS 316