

Tube for cylinder

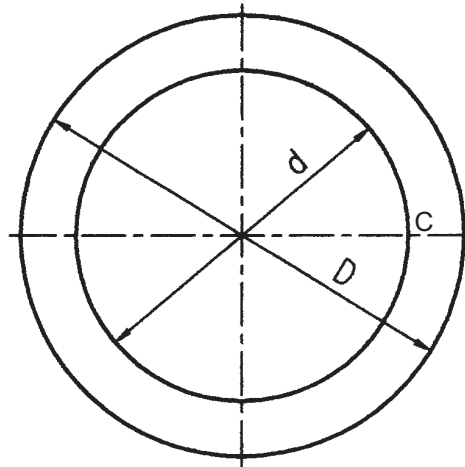
Pneumission materials department supplies many kinds of tube for cylinders.



The thickness of oxide film is 25um+/- 5um, with the specifications as follows:
The material of tube: LD31 - RCS (6063-T5)

Constituent	Element	Mg	Si	Fe	Cu	Mn	Cr	Zn	Ti
	Check result	0.81	0.41	0.23	<0.08	<0.08	<0.04	<0.02	<0.05
Mechanical Property	Index appellation	Tension intensity (N/mm) ²	Yield Strength (N/mm) ²	Ductility (%)	Harness	Internal Diameter Tolerance	Internal Surface area Roughness	Linearity	Thickness Tolerance
	Check Result	Sb 157	S 0.2 108	S 8	HV 400	H9-H10	Ra 0.2-0.4	1/100 0	±1%

Standard Round Tube



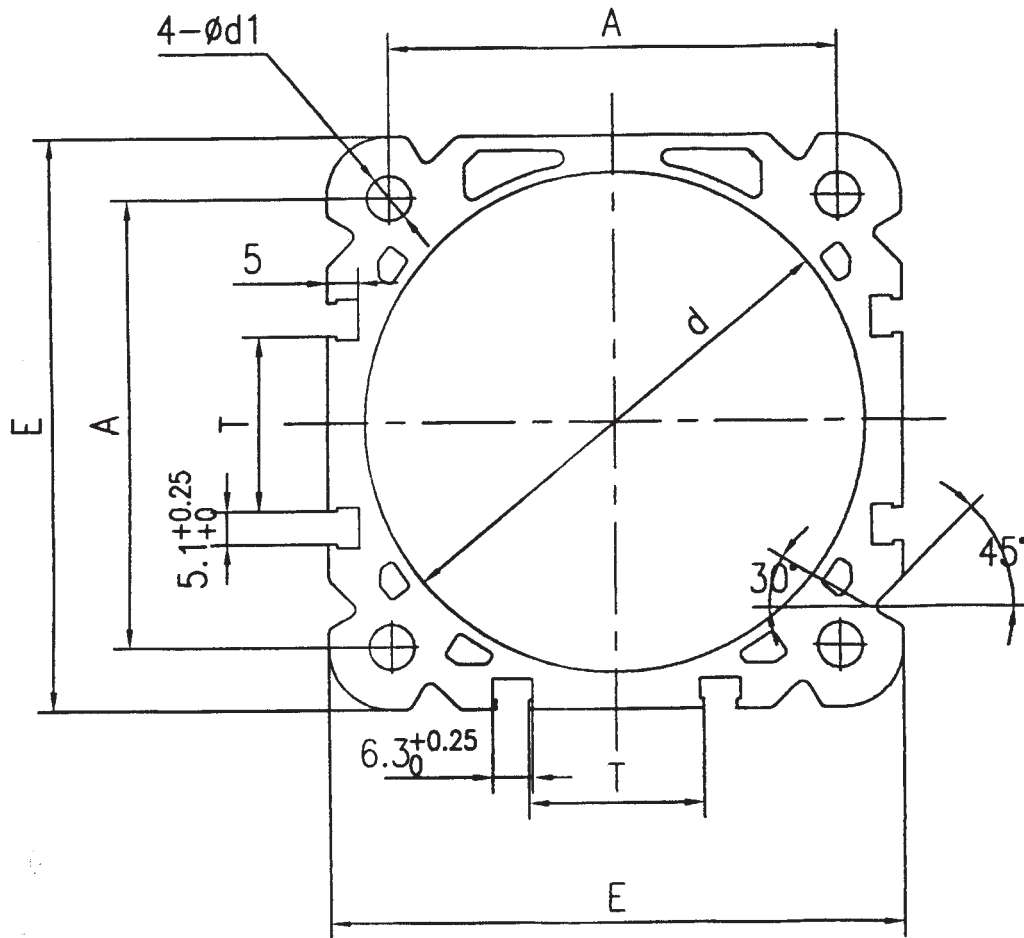
d – Internal diameter
D – External diameter

Major size parameter :

No.	d	D	C
1	φ 16	φ 20	2
2	φ 20	φ 25	2.5
3	φ 25	φ 29	2
4	φ 25	φ 30	2.5
5	φ 32	φ 37	2.5
6	φ 35	φ 40	2.5
7	φ 35	φ 41	3
8	φ 40	φ 44	2
9	φ 40	φ 45	2.5
10	φ 40	φ 48	4
11	φ 41.5	φ 47.5	3
12	φ 45	φ 50	2.5
13	φ 48	φ 60	6
14	φ 49	φ 76	13.5
15	φ 50	φ 54	2
16	φ 50	φ 55	2.5
17	φ 55	φ 60.5	2.75
18	φ 57	φ 62.2	2.6
19	φ 60	φ 65	2.5
20	φ 63	φ 68	2.5
21	φ 63	φ 69	3

No.	d	D	C
22	φ 63	φ 71	4
23	φ 67.8	φ 75	3.6
24	φ 70	φ 76	3
25	φ 75	φ 81	3
26	φ 80	φ 86	3
27	φ 80	φ 87	3.5
28	φ 100	φ 104	2
29	φ 100	φ 106	3
30	φ 100	φ 107	3.5
31	φ 100	φ 108	4
32	φ 125	φ 133	4
33	φ 125	φ 135	5
34	φ 130	φ 140	5
35	φ 130.2	φ 136.7	3.25
36	φ 140	φ 150	5
37	φ 150	φ 158	4
38	φ 150	φ 160	5
39	φ 160	φ 170	5
40	φ 180	φ 192	6
41	φ 200	φ 210	5
42	φ 250	φ 262	6

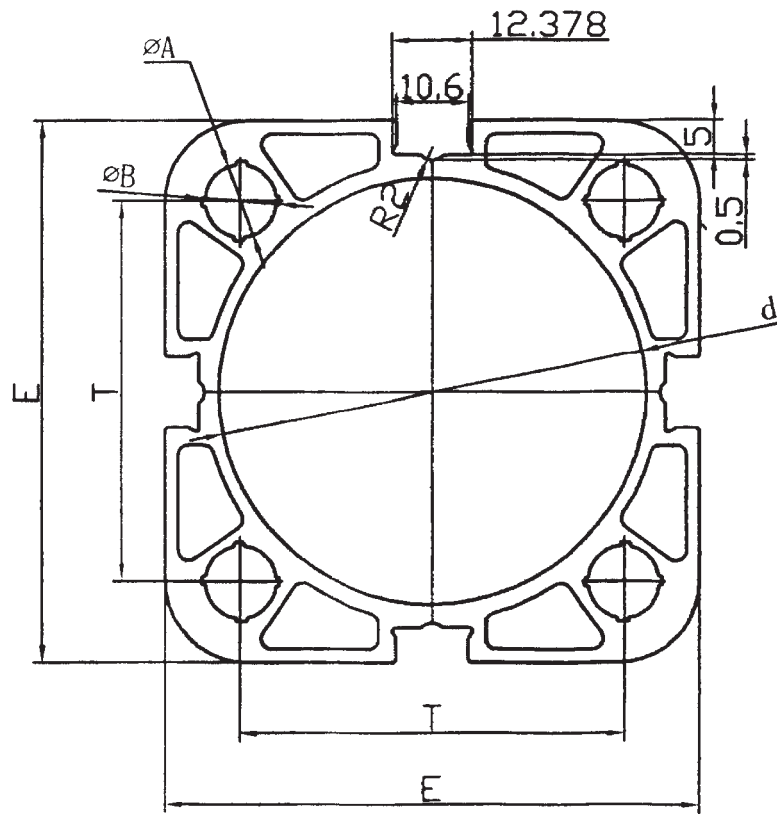
Tube for Festo DNC Cylinder



Major size parameter :

No.	d	E	A	T	4- $\phi d1$
1	$\phi 32$	44x44	32.5x32.5	8.2	$\phi 5.1$
2	$\phi 40$	51x51	38x38	11	$\phi 5.1$
3	$\phi 50$	64x64	46.5x46.5	17	$\phi 6.7$
4	$\phi 63$	75x75	56.5x56.5	26	$\phi 6.7$
5	$\phi 80$	93x93	72x72	28	$\phi 8.7$
6	$\phi 100$	111x111	89x89	35	$\phi 8.7$
7	$\phi 125$	134x134	110x110	55	$\phi 10.3$

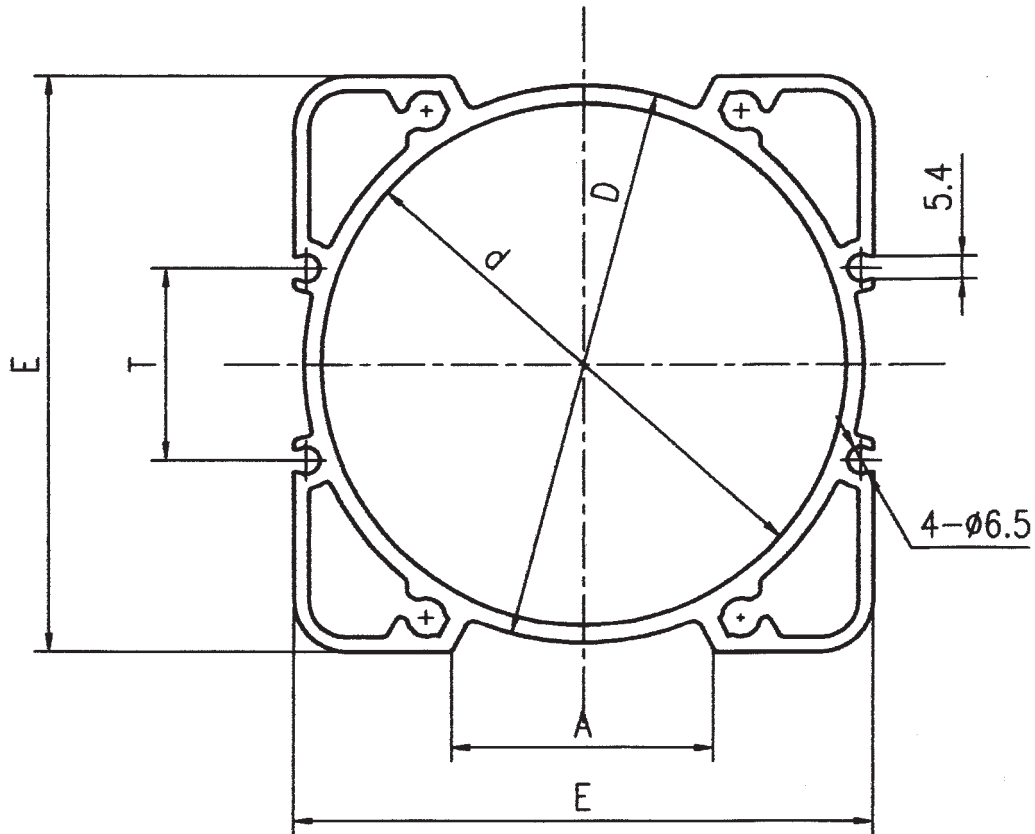
Standard Tube in Europe



Major size parameter :

No.	d	E	T	A	B
1	$\phi 32$	49.85x49.85	32.5x32.5	8.5	9.5
2	$\phi 40$	54.85x54.85	38x38	8.5	9.5
3	$\phi 50$	67.85x67.85	46.5x46.5	10.5	11.5
4	$\phi 63$	78.85x78.85	56.5x56.5	10.5	11.5
5	$\phi 80$	97.6x97.6	72x72	14.5	15.5
6	$\phi 100$	114.6x114.6	89x89	14.5	15.5
7	$\phi 125$				

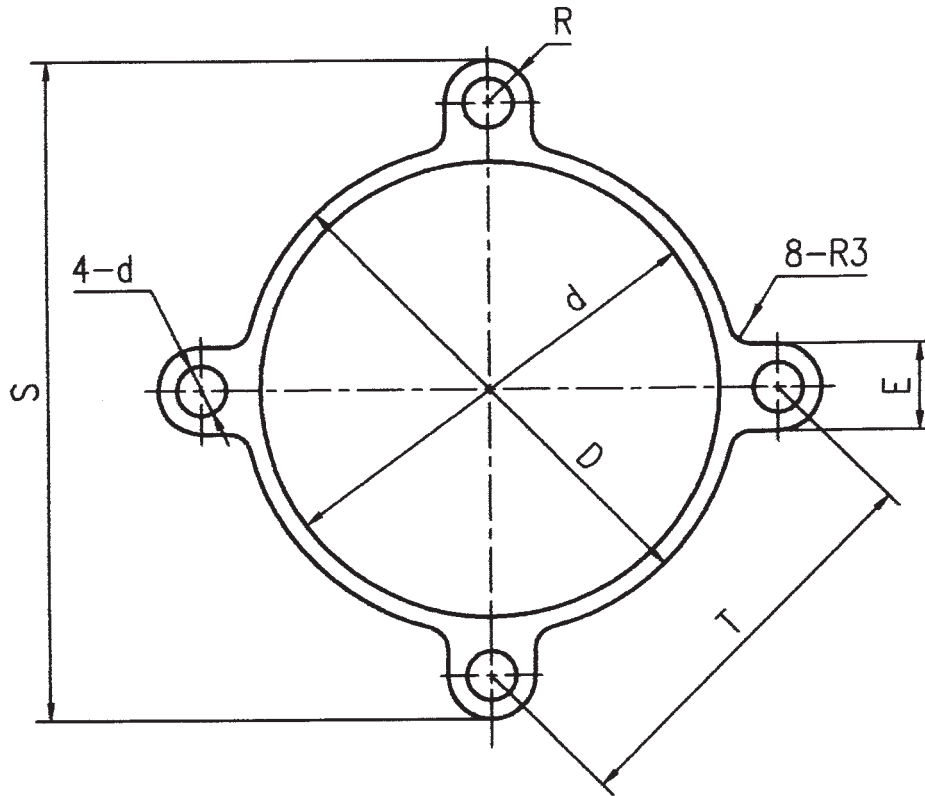
Tube for Norgren Cylinder



Major size parameter :

No.	d	D	E	T	A
1	φ32	φ36	45x45	15	15
2	φ40	φ44.6	52x52	21.9	15
3	φ50	φ56	64x64	19	19.5
4	φ63	φ69	74x74	30	30
5	φ80	φ87	94x94	28	36
6	φ100	φ108	115x115	30	48
7	φ125	φ134.2	138x138	46	62.5

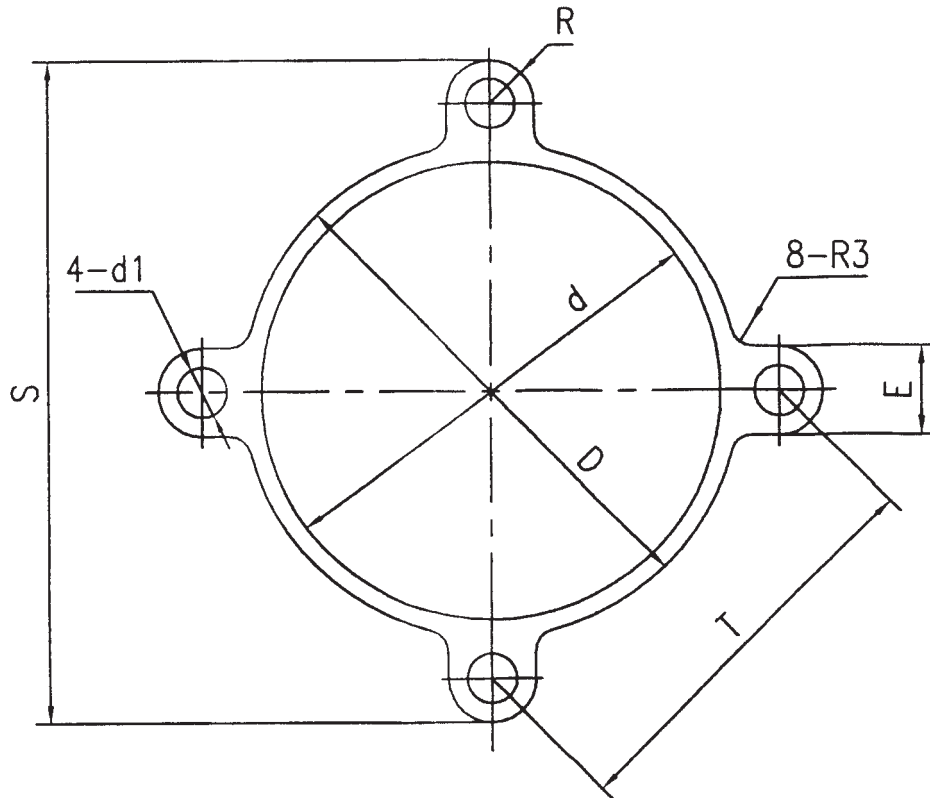
Tube conformed to ISO6430 (SU Series)



Major size parameter :

No.	d	D	T	S	E	4-d
1	φ32	φ36.5	33x33	55.3x55.3	10	φ5.2
2	φ40	φ44.5	37x37	65x65	10	φ5.2
3	φ50	φ55.3	47x47	81.8x81.8	12	φ5.2
4	φ63	φ68	56x56	93.5x93.5	12	φ6.8
5	φ80	φ85.8	70x70	117x117	14	φ8.7
6	φ100	φ106	84x84	145x145	15	φ8.7

Tube conformed to ISO6431 (SI Series)

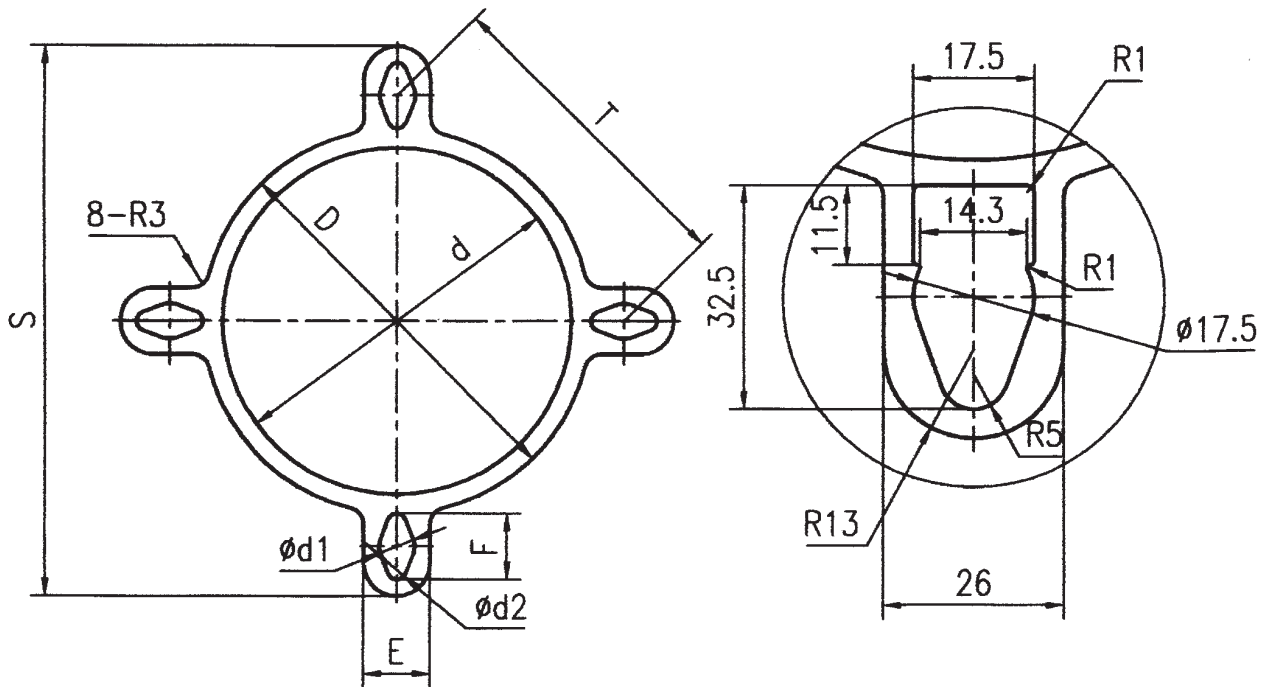


Major size parameter :

No.	d	D	T	S	E	4-d1
1	$\phi 32$	$\phi 36.5$	32.5x32.5	55.3x55.3	10	$\phi 5.2$
2	$\phi 40$	$\phi 44.5$	38x38	65x65	10	$\phi 5.2$
3	$\phi 50$	$\phi 55.3$	46.5x46.5	81.8x81.8	12	$\phi 6.8$ ($\phi 7.4$)
4	$\phi 63$	$\phi 68$	56.5x56.5	93.5x93.5	12	$\phi 6.8$
5	$\phi 80$	$\phi 85.8$	72x72	117x117	14	$\phi 8.7$
6	$\phi 100$	$\phi 106$	89x89	145x145	15	$\phi 8.7$

Tube conformed to ISO6431 (SI Series)

Size of $\phi 200$ cvlinder bore's shaft hole like the ear



Major size parameter :

No.	d	D	T	S	d1	d2	E	F
1	$\phi 125$	$\phi 132$	110x110	180x180	$\phi 12$	$\phi 7$	18	20
2	$\phi 160$	$\phi 168.5$	140x140	232x232	$\phi 17.5$	$\phi 11$	25.5	25
3	$\phi 200$	$\phi 214$	176x176	291x291			26	32.5

YTT6A

Aluminum Alloy Round/Profile Tubes for Pneumatic Cylinder



[A] Aluminum Alloy Tubes for Pneumatic Cylinder

Aluminum Alloy Tubes for Pneumatic Cylinder Size list

ID (mm Ø)	OD (mm Ø)	ID (mm Ø)	OD (mm Ø)	ID (mm Ø)	OD (mm Ø)
20	25	50	58	140	150
25	30	63	68	150	160
30	35	63	72	160	170
32	37	80	86	180	190
40	45	100	106	200	210
50	55	125	135		

Remark

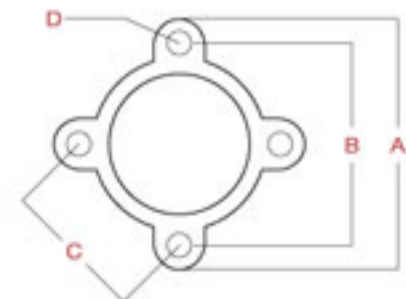
- Material : AA6063 T5
- Internal Roughness : Rz 3.2
- ID Accuracy : H9 (Please Consult Page 10)
- Straightness : 1 mm / 1000 mm
- Plating Thickness : 20 ~ 30 µm
- Surface Hardness : > 400 HV
- Standard Length : 2050 / 3050 mm

[B] Aluminum Alloy Profile for Pneumatic Cylinder



Aluminum Alloy Profile for Pneumatic Cylinder Size list

ID (mm Ø)	OD (mm Ø)	Thickness (mm)	A (mm)	B (mm)	C (mm)	D (mm Ø)
Ø 32	36	2.8	57.06	45.96	32.5	5.4
Ø 40	45	2.8	64.84	53.74	38	5.4
Ø 50	55	3	78.76	65.76	46.5	7.3
Ø 63	68	3	92.90	79.90	56.6	7.3
Ø 80	86	3.5	116.52	101.82	72	9
Ø 100	106	3.5	140.56	125.80	89	9



Remark

- Material : AA6063 T5
- Internal Roughness : Rz 3.2 ~ 5
- ID Accuracy : H11 (Please Consult Page 10)
- Straightness : 1 mm / 1000 mm
- Plating Thickness : 20 ~ 30 µm
- Surface Hardness : > 400 HV
- Standard Length : 2050 / 3050 mm